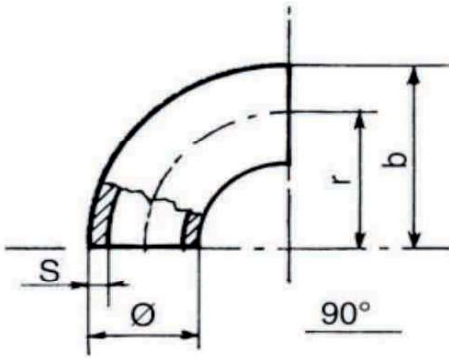


CURVE
ELBOWS

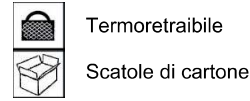


omec

Art. 50A CURVE DIMA 3D - 90° NORMALI WELDING ELBOWS



Curve dima 3D - 90° ricavate da tubo saldato.

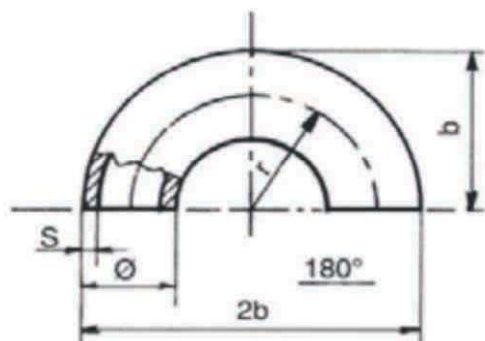


CODE	CONF.	TYPE	DN	Ø mm	S mm	r mm	b mm	€
50A21000	300	1/2"	15	21,30	2,0	28	38	a richiesta
50A27000	300	3/4"	20	26,90	2,0	29	43	2,777
50A33000	200	1"	25	33,70	2,3	38	56	2,397
50A42000	100	1.1/4"	32	42,40	2,6	48	69	2,825
50A48000	100	1.1/2"	40	48,30	2,6	57	82	3,477
50A60000	50	2"	50	60,30	2,9	76	106	5,565
50A76000	5	2.1/2"	65	76,10	2,9	95	133	8,928
50A89000	4	3"	80	88,90	3,2	114	159	12,847
50A10200	3	3.1/2"	90	101,60	3,6	134	184	18,082
50A10800	3			108,00	3,6	143	196	22,862
50A11400	3	4"	100	114,30	3,6	152	210	25,290
50A13300	3			133,00	4,0	181	247	41,790
50A13900	3	5"	125	139,70	4,0	190	260	42,174
50A15900	3			159,00	4,5	216	294	64,877
50A16800	3	6"	150	168,30	4,5	229	313	68,016
50A19400				193,70	5,4	270	367	135,270
50A21900		8"	200	219,10	6,3	305	414	162,110
50A24400				244,50	6,3	340	462	a richiesta
50A27300		10"	250	273,00	6,3	381	518	a richiesta
50A32300		12"	300	323,90	6,3	457	619	a richiesta
50A35500		14"	350	355,60	6,3	533	711	a richiesta
50A40600		16"	400	406,40	6,3	610	813	a richiesta
50A45700		18"	450	457,20	6,3	686	914	a richiesta
50A50800		20"	500	508,00	6,3	762	1016	a richiesta
50A60900		24"	600	609,60	6,3	914	1219	a richiesta
50A71100		28"	700	711,20	7,1			a richiesta
50A81200		32"		812,80	8,8			a richiesta

Curve 45°: prezzo come 90°

Art. 51 CURVE DIMA 3D - 180° RICAVATE DA TUBO SALDATO WELDING ELBOWS 180° PRODUCED FROM WELDED PIPES

Curve dima 3D - 180° ricavate da tubo saldato



M Acciaio ST37
N Nere
DIN 1626
DIN 2470

Termoretraibile
 Scatole di cartone

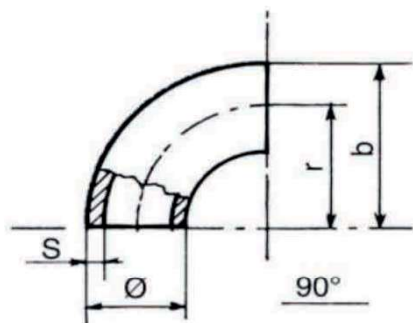
CODE	CONF.	TYPE	DN	Ø mm	S mm	r mm	b mm	€
51C27L00	300	3/4"	20	26,90	2,0*	29	43	7,432
51C33L00	200	1"	25	33,70	2,3*	38	56	6,976
51C42L00	100	1.1/4"	32	42,40	2,6	48	69	8,280
51C48L00	100	1.1/2"	40	48,30	2,6	57	82	10,836
51C60L00	50	2"	50	60,30	2,9	76	106	17,642
51C76L00	5	2.1/2"	65	76,10	2,9	95	133	28,250
51C89L00	5	3"	80	88,90	3,2	114	159	42,098
51C102L0	4	3.1/2"	90	101,60	3,6	134	184	57,575
51C108L0	4			108,00	3,6	143	196	72,897
51C114L0	4	4"	100	114,30	3,6	152	210	81,257
51C133L0	3			133,00	4,0	181	247	a richiesta
51C139L0	3	5"	125	139,70	4,0	190	260	104,758
51C159L0	3			159,00	4,5	216	294	a richiesta
51C168L0	3	6"	150	168,30	4,5	229	313	147,995
51C194L0				193,70	5,0*	270	367	a richiesta
51C219L0		8"	200	219,10	5,5*	305	414	a richiesta
51C273L0		10"	250	273,00	6,3	381	518	a richiesta
51C324L0		12"	300	323,90	7,1	457	619	a richiesta

* Spessori leggermente diversi dalla DIN 2605 e dalla ISO

Curve 45°: prezzo come 90°

Art. 52 CURVE DIMA 3D - 90° RICAVATE DA TUBO SENZA SALDATURA WELDING ELBOWS 90° PRODUCED FROM SEAMLESS PIPES

Curve dima 3D - 90° ricavate da tubo senza saldatura



M Acciaio ST37 DIN 1629
Acciaio ST35.8 DIN
N DIN 2605 e DIN 2609



Nere



Termoretraibile

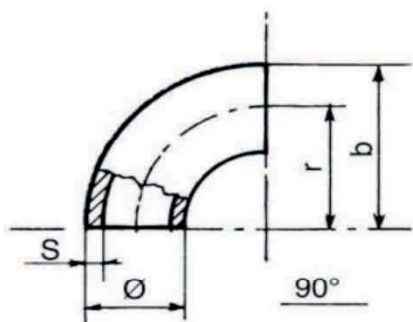


Scatole di cartone

CODE	CONF.	TYPE	DN	Ø mm	S mm	r mm	b mm	€
52C21000	300	1/2"	15	21,30	2,0	28	38	3,295
52C27000	300	3/4"	20	26,90	2,3	29	43	3,303
52C33000	200	1"	25	33,70	2,6	38	56	3,457
52C42000	100	1.1/4"	32	42,40	2,6	48	69	4,302
52C48000	100	1.1/2"	40	48,30	2,6	57	82	4,978
52C60000	50	2"	50	60,30	2,9	76	106	6,750
52C76000	5	2.1/2"	65	76,10	2,9	95	133	10,794
52C89000	5	3"	80	88,90	3,2	114	159	14,998
52C10200	4	3.1/2"	90	101,60	3,6	134	184	22,502
52C10800	4			108,00	3,2	143	196	27,383
52C11400	4	4"	100	114,30	3,6	152	210	29,672
52C13300	3			133,00	4,0	181	247	a richiesta
52C13900	3	5"	125	139,70	4,0	190	260	50,651
52C15900	3			159,00	4,5	216	294	a richiesta
52C16800	3	6"	150	168,30	4,5	229	313	81,414
52C19400				193,70	5,6	270	367	160,164
52C21900		8"	200	219,10	6,3	305	414	207,264
52C27300		10"	250	273,00	6,3	381	518	443,306
52C32300		12"	300	323,90	7,1	457	619	661,354

Art. 56 CURVE DIMA 5D - 90° RICAVATE DA TUBO SALDATO WELDING ELBOWS PRODUCED FROM WELDED PIPES

Curve dima 5D - 90° ricavate da tubo saldato.



M Tubi saldati ST37 DIN 1629
e ST 35.8 DIN 17175
N DIN 2605 e DIN 2609



Nere



Termoretraibile

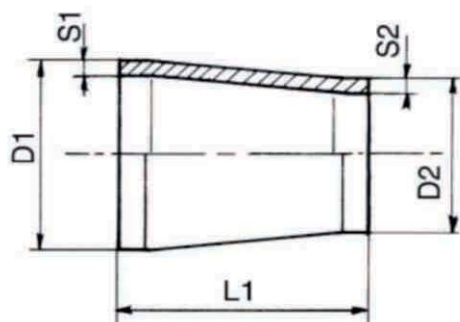


Scatole di cartone

CODE	CONF.	TYPE	DN	Ø mm	S mm	r mm	b mm	€
56C27000	200	3/4"	20	26,90	2,3	29	43	a richiesta
56C33000	100	1"	25	33,70	2,6	38	56	a richiesta
56C42000	50	1.1/4"	32	42,40	2,6	48	69	a richiesta
56C48000	50	1.1/2"	40	48,30	2,6	57	82	a richiesta
56C60000	5	2"	50	60,30	2,9	76	106	a richiesta
56C76000	5	2.1/2"	65	76,10	2,9	95	133	22,333
56C89000	5	3"	80	88,90	3,2	114	159	47,641
56C11400	3	4"	100	114,30	3,6	152	210	72,484

Art. 54 RIDUZIONI CONCENTRICHE CONCENTRIC REDUCTIONS

Ricavate da tubo senza saldatura


 Acciaio ST35.8.1
DIN 17175

Nere

DIN 2616 e DIN 2609 - EN10253-1

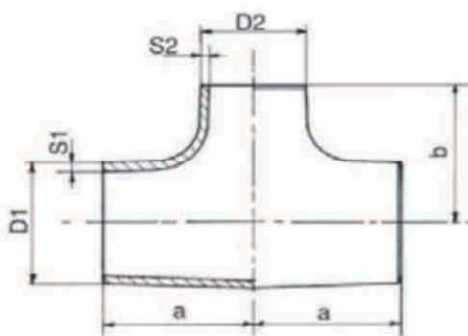


Scatole di cartone

CODE	D1 Ø x D2 Ø	D1 mm x D2 mm	S1 mm x S2 mm	L1 mm	€
54C10000	1" x 3/4"	33,70 x 26,90	2,6 x 2,3	50,80	5,656
54C20000	1.1/4" x 3/4"	42,40 x 26,90	2,6 x 2,3	50,80	6,184
54C30000	1.1/4" x 1"	42,40 x 33,70	2,6 x 2,6	50,80	5,549
54C40000	1.1/2" x 3/4"	48,30 x 26,90	2,6 x 2,3	63,50	8,710
54C50000	1.1/2" x 1"	48,30 x 33,70	2,6 x 2,6	63,50	7,011
54C60000	1.1/2" x 1 1/4"	48,30 x 42,40	2,6 x 2,6	63,50	5,859
54C70000	2" x 1"	60,30 x 33,70	2,9 x 2,6	76,20	8,529
54C80000	2" x 1.1/4"	60,30 x 42,40	2,9 x 2,6	76,20	8,220
54C90000	2" x 1.1/2"	60,30 x 48,30	2,9 x 2,6	76,20	6,258
54C1X000	2.1/2" x 1.1/4"	76,10 x 42,40	2,9 x 2,6	88,90	10,091
54C11000	2.1/2" x 1.1/2"	76,10 x 48,30	2,9 x 2,6	88,90	9,431
54C12000	2.1/2" x 2"	76,10 x 60,30	2,9 x 2,6	88,90	8,308
54C13000	3" x 1.1/2"	88,90 x 48,30	3,2 x 2,6	88,90	14,826
54C14000	3" x 2"	88,90 x 60,30	3,2 x 2,6	88,90	11,620
54C15000	3" x 2.1/2"	88,90 x 76,10	3,2 x 2,9	88,90	9,749
54C22000	4" x 2.1/2"	114,30 x 76,10	3,6 x 2,9	101,60	21,143
54C23000	4" x 3"	114,30 x 88,90	3,6 x 3,0	101,60	18,471
54C27000	5" x 2.1/2"	139,70 x 76,10	4,0 x 2,9	127,00	49,538
54C28000	5" x 3"	139,70 x 88,90	4,0 x 3,2	127,00	34,000
54C3X000	5" x 4"	139,70 x 114,30	4,0 x 3,6	127,00	32,143
54C35000	6" x 3"	168,30 x 88,90	4,5 x 3,2	139,70	71,433
54C36000	6" x 4"	168,30 x 114,30	4,5 x 3,6	139,70	47,135
54C37000	6" x 5"	168,30 x 139,70	4,5 x 4,0	139,70	41,144
54C38000	8" x 4"	219,10 x 114,30	6,3 x 3,6	152,40	116,821
54C39000	8" x 5"	219,10 x 139,70	6,3 x 4,0	152,40	78,325
54C41000	8" x 6"	219,10 x 168,30	6,3 x 4,5	152,40	75,342
54C42000	10" x 6"	273,00 x 168,3	6,3 x 4,5	178,00	146,234
54C43000	10" x 8"	273,00 x 219,10	6,3 x 4,5	178,00	125,916
54C44000	12" x 8"	323,90 x 219,10	7,1 x 6,3	203,00	258,406
54C45000	12" x 10"	323,90 x 273,00	7,1 x 6,3	203,00	232,586

Art. 55 RACCORDI A T NORMALI E RIDOTTI EQUAL AND REDUCING TEES

Ricavati da tubo senza saldatura



M Acciaio ST35.8
DIN 17175
N DIN 2615 e DIN 2609



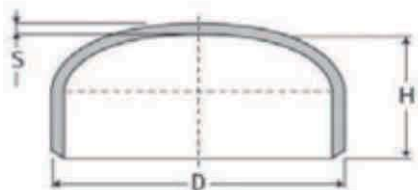
Nere



Scatole di cartone

CODE	D1 Ø x D2 Ø	S1 mm x S2 mm	a mm	b mm	€
55C10000	3/4" x 1/2"	2,3 x 2,0	28,50	28,50	a richiesta
55C20000	3/4" x 3/4"	2,3 x 2,3	29,00	29,00	16,580
55C38200	1" x 1/2"	2,6 x 2,0	38,10	38,10	16,927
55C40000	1" x 1"	2,6 x 2,6	38,00	38,00	17,209
55C50000	1.1/4" x 3/4"	2,6 x 2,3	47,60	47,60	18,581
55C70000	1.1/4" x 1.1/4"	2,6 x 2,6	48,00	48,00	19,051
55C90000	1.1/2" x 1"	2,6 x 2,6	57,10	57,10	21,817
55C11000	1.1/2" x 1.1/2"	2,6 x 2,6	57,00	57,00	22,644
55C12000	2" x 1"	2,9 x 2,6	63,50	50,80	30,904
55C14000	2" x 1.1/2"	2,9 x 2,6	63,50	60,30	30,904
55C15000	2" x 2"	2,9 x 2,9	64,00	64,00	31,005
55C16000	2.1/2" x 1.1/4"	2,9 x 2,6	76,20	63,50	53,146
55C17000	2.1/2" x 1.1/2"	2,9 x 2,6	76,20	66,70	53,146
55C18000	2.1/2" x 2"	2,9 x 2,9	76,20	69,50	53,146
55C19000	2.1/2" x 2.1/2"	2,9 x 2,9	76,00	76,00	50,669
55C2X000	3" x 1.1/2"	3,2 x 2,6	85,70	79,00	63,923
55C21000	3" x 2"	3,2 x 2,9	85,70	76,20	63,923
55C22000	3" x 2.1/2"	3,2 x 2,9	85,70	82,60	63,923
55C23000	3" x 3"	3,2 x 3,2	86,00	86,00	65,588
55C24000	4" x 2"	3,6 x 2,9	104,80	88,90	93,879
55C25000	4" x 2.1/2"	3,6 x 2,9	104,80	95,20	93,931
55C26000	4" x 3"	3,6 x 3,2	104,80	98,40	93,945
55C27000	4" x 4"	3,6 x 3,6	105,00	105,00	92,600
55C28000	5" x 2.1/2"	4,0 x 2,9	123,80	107,90	144,912
55C29000	5" x 3"	4,0 x 3,2	123,80	111,10	144,946
55C3X000	5" x 4"	4,0 x 3,6	123,80	117,50	144,399
55C31000	5" x 5"	4,0 x 4,0	124,00	124,00	149,266
55C32000	6" x 3"	4,5 x 3,2	142,80	123,80	209,430
55C33000	6" x 4"	4,5 x 3,6	142,80	130,10	209,504
55C34000	6" x 5"	4,5 x 4,0	142,80	136,00	209,578
55C35000	6" x 6"	4,5 x 4,5	143,00	143,00	185,741
55C36000	8" x 4"	6,3 x 3,6	177,80	155,50	418,232
55C37000	8" x 5"	6,3 x 4,0	177,80	161,80	418,269
55C38000	8" x 6"	6,3 x 4,5	177,80	168,20	418,380
55C39000	8" x 8"	6,3 x 6,3	178,00	178,00	339,730
55C41000	10" x 6"	6,3 x 4,5	215,90	193,70	828,876
55C42000	10" x 8"	6,3 x 6,3	215,90	203,20	829,061
55C43000	10" x 10"	6,3 x 6,3	216,00	216,00	717,216
55C45000	12" x 8"	7,1 x 6,3	254,00	228,60	1176,780
55C46000	12" x 10"	7,1 x 6,3	254,00	254,00	1177,298
55C47000	12" x 12"	7,1 x 7,1	254,00	254,00	1106,137

Art. 59 FONDELLI BOMBATI CONVEX CAPS



M Acciaio S235

Nere



Scatole di cartone

CODE	CONF.	TYPE	Ø mm.	S mm	H mm	€
59C33000	20	1"	33,70	2,3	15	1,338
59C42000	20	1.1/4"	42,40	2,6	18	1,444
59C48000	20	1.1/2"	48,30	2,6	18	1,650
59C60000	10	2"	60,30	2,9	22	2,116
59C76000	10	2.1/2"	76,10	2,9	25	2,756
59C89000	10	3"	88,90	3,2	27	3,462
59C10200		3.1/2"	101,60	3,2	30	8,687
59C10800			108,00	3,2	34	8,720
59C11400		4"	114,30	3,2	34	9,171
59C13300			133,00	3,6	36	12,330
59C14000		5"	139,70	4,0	39	17,032
59C15900			159,00	4,0	41	22,421
59C16800		6"	168,30	4,0	43	27,529
59C19400			193,70	4,0	50	45,246
59C21900		8"	219,10	4,0	55	45,393
59C27300		10"	273,00	4,0	57	63,846
59C32400		12"	323,90	4,0	60	70,877
59C35500		14"	355,60	5,0	73	141,008
59C40600		16"	406,40	5,0	84	212,405
59C45700		18"	457,20	6,0	123	309,913
59C50800		20"	508,00	6,0	105	360,024
59C60900		24"	609,60	6,0	150	a richiesta

