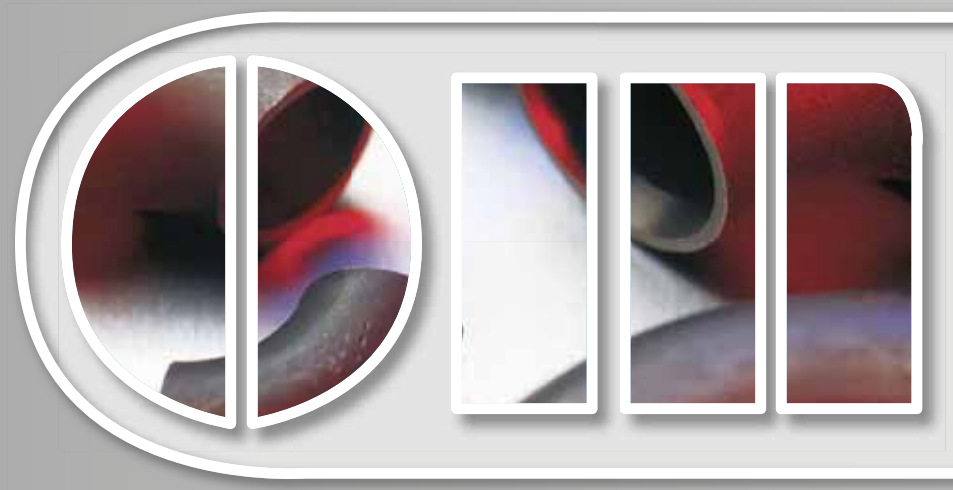
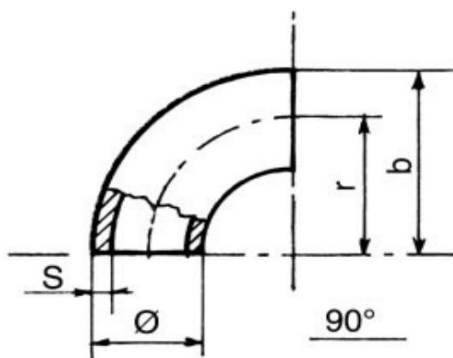


CURVE  
*ELBOWS*



**omec**

## Art. 50A CURVE DIMA 3D - 90° NORMALI WELDING ELBOWS



Curve dima 3D - 90° ricavate da tubo saldato.

**M** Acciaio ST37

 Nere



Termoretraibile



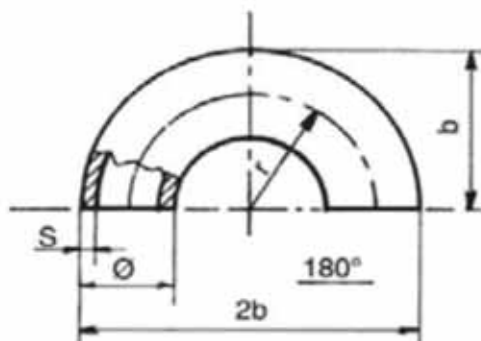
Scatole di cartone

CODE	CONF.	TYPE	DN	Ø mm	S mm	r mm	b mm	€
50A21000	300	1/2"	15	21,30	2,0	28	38	a richiesta
50A27000	300	3/4"	20	26,90	2,0	29	43	2,777
50A33000	200	1"	25	33,70	2,3	38	56	2,397
50A42000	100	1.1/4"	32	42,40	2,6	48	69	2,825
50A48000	100	1.1/2"	40	48,30	2,6	57	82	3,477
50A60000	50	2"	50	60,30	2,9	76	106	5,565
50A76000	5	2.1/2"	65	76,10	2,9	95	133	8,928
50A89000	4	3"	80	88,90	3,2	114	159	12,847
50A10200	3	3.1/2"	90	101,60	3,6	134	184	18,082
50A10800	3			108,00	3,6	143	196	22,862
50A11400	3	4"	100	114,30	3,6	152	210	25,290
50A13300	3			133,00	4,0	181	247	41,790
50A13900	3	5"	125	139,70	4,0	190	260	42,174
50A15900	3			159,00	4,5	216	294	64,877
50A16800	3	6"	150	168,30	4,5	229	313	68,016
50A19400				193,70	5,4	270	367	135,270
50A21900		8"	200	219,10	6,3	305	414	162,110
50A24400				244,50	6,3	340	462	a richiesta
50A27300		10"	250	273,00	6,3	381	518	a richiesta
50A32300		12"	300	323,90	6,3	457	619	a richiesta
50A35500		14"	350	355,60	6,3	533	711	a richiesta
50A40600		16"	400	406,40	6,3	610	813	a richiesta
50A45700		18"	450	457,20	6,3	686	914	a richiesta
50A50800		20"	500	508,00	6,3	762	1016	a richiesta
50A60900		24"	600	609,60	6,3	914	1219	a richiesta
50A71100		28"	700	711,20	7,1			a richiesta
50A81200		32"		812,80	8,8			a richiesta

Curve 45°: prezzo come 90°

## Art. 51 CURVE DIMA 3D - 180° RICAVATE DA TUBO SALDATO WELDING ELBOWS 180° PRODUCED FROM WELDED PIPES

Curve dima 3D - 180° ricavate da tubo saldato



**M** Acciaio ST37  
**N** Nere  
 DIN 1626  
 DIN 2470

Termoretraibile  
 Scatole di cartone

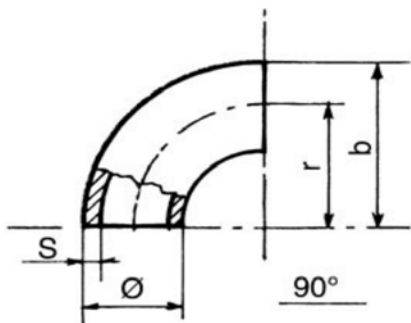
CODE	CONF.	TYPE	DN	Ø mm	S mm	r mm	b mm	€
<b>51C27L00</b>	300	3/4"	20	26,90	2,0*	29	43	<b>7,432</b>
<b>51C33L00</b>	200	1"	25	33,70	2,3*	38	56	<b>6,976</b>
<b>51C42L00</b>	100	1.1/4"	32	42,40	2,6	48	69	<b>8,280</b>
<b>51C48L00</b>	100	1.1/2"	40	48,30	2,6	57	82	<b>10,836</b>
<b>51C60L00</b>	50	2"	50	60,30	2,9	76	106	<b>17,642</b>
<b>51C76L00</b>	5	2.1/2"	65	76,10	2,9	95	133	<b>28,250</b>
<b>51C89L00</b>	5	3"	80	88,90	3,2	114	159	<b>42,098</b>
<b>51C102L0</b>	4	3.1/2"	90	101,60	3,6	134	184	<b>57,575</b>
<b>51C108L0</b>	4			108,00	3,6	143	196	<b>72,897</b>
<b>51C114L0</b>	4	4"	100	114,30	3,6	152	210	<b>81,257</b>
<b>51C133L0</b>	3			133,00	4,0	181	247	<b>a richiesta</b>
<b>51C139L0</b>	3	5"	125	139,70	4,0	190	260	<b>104,758</b>
<b>51C159L0</b>	3			159,00	4,5	216	294	<b>a richiesta</b>
<b>51C168L0</b>	3	6"	150	168,30	4,5	229	313	<b>147,995</b>
<b>51C194L0</b>				193,70	5,0*	270	367	<b>a richiesta</b>
<b>51C219L0</b>		8"	200	219,10	5,5*	305	414	<b>a richiesta</b>
<b>51C273L0</b>		10"	250	273,00	6,3	381	518	<b>a richiesta</b>
<b>51C324L0</b>		12"	300	323,90	7,1	457	619	<b>a richiesta</b>

\* Spessori leggermente diversi dalla DIN 2605 e dalla ISO

Curve 45°: prezzo come 90°

## Art. 52 CURVE DIMA 3D - 90° RICAVATE DA TUBO SENZA SALDATURA WELDING ELBOWS 90° PRODUCED FROM SEAMLESS PIPES

Curve dima 3D - 90° ricavate da tubo senza saldatura



**M** Acciaio ST37 DIN 1629  
Acciaio ST35.8 DIN

Nere

**N** DIN 2605 e DIN 2609



Termoretraibile

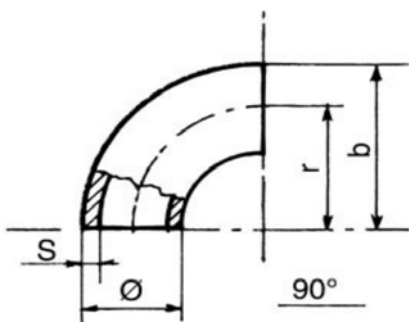


Scatole di cartone

CODE	CONF.	TYPE	DN	Ø mm	S mm	r mm	b mm	€
52C21000	300	1/2"	15	21,30	2,0	28	38	3,295
52C27000	300	3/4"	20	26,90	2,3	29	43	3,303
52C33000	200	1"	25	33,70	2,6	38	56	3,457
52C42000	100	1.1/4"	32	42,40	2,6	48	69	4,302
52C48000	100	1.1/2"	40	48,30	2,6	57	82	4,978
52C60000	50	2"	50	60,30	2,9	76	106	6,750
52C76000	5	2.1/2"	65	76,10	2,9	95	133	10,794
52C89000	5	3"	80	88,90	3,2	114	159	14,998
52C10200	4	3.1/2"	90	101,60	3,6	134	184	22,502
52C10800	4			108,00	3,2	143	196	27,383
52C11400	4	4"	100	114,30	3,6	152	210	29,672
52C13300	3			133,00	4,0	181	247	a richiesta
52C13900	3	5"	125	139,70	4,0	190	260	50,651
52C15900	3			159,00	4,5	216	294	a richiesta
52C16800	3	6"	150	168,30	4,5	229	313	81,414
52C19400				193,70	5,6	270	367	160,164
52C21900		8"	200	219,10	6,3	305	414	207,264
52C27300		10"	250	273,00	6,3	381	518	443,306
52C32300		12"	300	323,90	7,1	457	619	661,354

## Art. 56 CURVE DIMA 5D - 90° RICAVATE DA TUBO SALDATO WELDING ELBOWS PRODUCED FROM WELDED PIPES

Curve dima 5D - 90° ricavate da tubo saldato.



**M** Tubi saldati ST37 DIN 1629 e ST 35.8 DIN

Nere

**N** DIN 2605 e DIN 2609



Termoretraibile

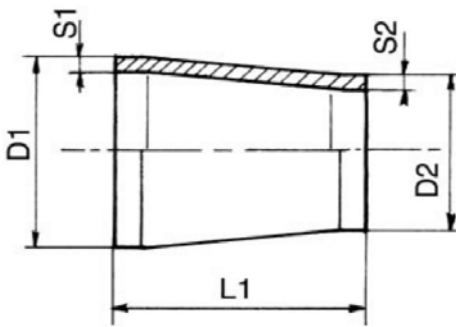


Scatole di cartone

CODE	CONF.	TYPE	DN	Ø mm	S mm	r mm	b mm	€
56C27000	200	3/4"	20	26,90	2,3	29	43	a richiesta
56C33000	100	1"	25	33,70	2,6	38	56	a richiesta
56C42000	50	1.1/4"	32	42,40	2,6	48	69	a richiesta
56C48000	50	1.1/2"	40	48,30	2,6	57	82	a richiesta
56C60000	5	2"	50	60,30	2,9	76	106	a richiesta
56C76000	5	2.1/2"	65	76,10	2,9	95	133	22,333
56C89000	5	3"	80	88,90	3,2	114	159	47,641
56C11400	3	4"	100	114,30	3,6	152	210	72,484

## Art. 54 RIDUZIONI CONCENTRICHE CONCENTRIC REDUCTIONS

Ricavate da tubo senza saldatura



Acciaio ST35.8.1 DIN 17175

Nere

DIN 2616 e DIN 2609 - EN10253-1

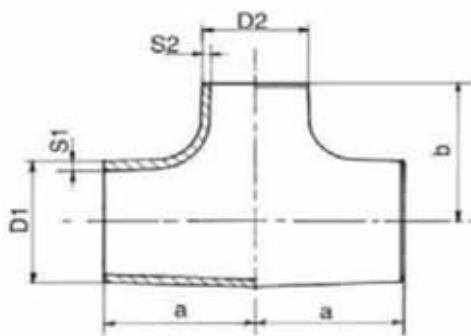


Scatole di cartone

CODE	D1 Ø x D2 Ø	D1 mm x D2 mm	S1 mm x S2 mm	L1 mm	€
54C10000	1" x 3/4"	33,70 x 26,90	2,6 x 2,3	50,80	6,274
54C20000	1.1/4" x 3/4"	42,40 x 26,90	2,6 x 2,3	50,80	7,283
54C30000	1.1/4" x 1"	42,40 x 33,70	2,6 x 2,6	50,80	6,292
54C40000	1.1/2" x 3/4"	48,30 x 26,90	2,6 x 2,3	63,50	10,259
54C50000	1.1/2" x 1"	48,30 x 33,70	2,6 x 2,6	63,50	8,254
54C60000	1.1/2" x 1 1/4"	48,30 x 42,40	2,6 x 2,6	63,50	6,896
54C70000	2" x 1"	60,30 x 33,70	2,9 x 2,6	76,20	10,032
54C80000	2" x 1.1/4"	60,30 x 42,40	2,9 x 2,6	76,20	9,672
54C90000	2" x 1.1/2"	60,30 x 48,30	2,9 x 2,6	76,20	7,357
54C1X000	2.1/2" x 1.1/4"	76,10 x 42,40	2,9 x 2,6	88,90	11,086
54C11000	2.1/2" x 1.1/2"	76,10 x 48,30	2,9 x 2,6	88,90	9,431
54C12000	2.1/2" x 2"	76,10 x 60,30	2,9 x 2,6	88,90	8,308
54C13000	3" x 1.1/2"	88,90 x 48,30	3,2 x 2,6	88,90	14,826
54C14000	3" x 2"	88,90 x 60,30	3,2 x 2,6	88,90	11,620
54C15000	3" x 2.1/2"	88,90 x 76,10	3,2 x 2,9	88,90	9,749
54C22000	4" x 2.1/2"	114,30 x 76,10	3,6 x 2,9	101,60	21,143
54C23000	4" x 3"	114,30 x 88,90	3,6 x 3,0	101,60	18,471
54C27000	5" x 2.1/2"	139,70 x 76,10	4,0 x 2,9	127,00	49,538
54C28000	5" x 3"	139,70 x 88,90	4,0 x 3,2	127,00	34,000
54C3X000	5" x 4"	139,70 x 114,30	4,0 x 3,6	127,00	32,143
54C35000	6" x 3"	168,30 x 88,90	4,5 x 3,2	139,70	71,433
54C36000	6" x 4"	168,30 x 114,30	4,5 x 3,6	139,70	47,135
54C37000	6" x 5"	168,30 x 139,70	4,5 x 4,0	139,70	41,144
54C38000	8" x 4"	219,10 x 114,30	6,3 x 3,6	152,40	116,821
54C39000	8" x 5"	219,10 x 139,70	6,3 x 4,0	152,40	78,325
54C41000	8" x 6"	219,10 x 168,30	6,3 x 4,5	152,40	75,342
54C42000	10" x 6"	273,00 x 168,3	6,3 x 4,5	178,00	146,234
54C43000	10" x 8"	273,00 x 219,10	6,3 x 4,5	178,00	125,916
54C44000	12" x 8"	323,90 x 219,10	7,1 x 6,3	203,00	258,406
54C45000	12" x 10"	323,90 x 273,00	7,1 x 6,3	203,00	232,586

## Art. 55 RACCORDI A T NORMALI E RIDOTTI EQUAL AND REDUCING TEES

Ricavati da tubo senza saldatura



**M** Acciaio ST35.8 DIN 17175

Nere

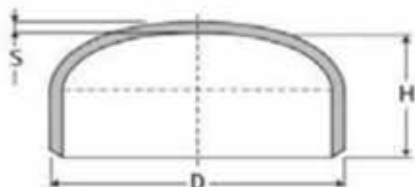
**N** DIN 2615 e DIN 2609



Scatole di cartone

CODE	D1 Ø x D2 Ø	S1 mm x S2 mm	a mm	b mm	€
55C10000	3/4" x 1/2"	2,3 x 2,0	28,50	28,50	<b>a richiesta</b>
55C20000	3/4" x 3/4"	2,3 x 2,3	29,00	29,00	<b>17,097</b>
55C38200	1" x 1/2"	2,6 x 2,0	38,10	38,10	<b>16,927</b>
55C40000	1" x 1"	2,6 x 2,6	38,00	38,00	<b>17,744</b>
55C50000	1.1/4" x 3/4"	2,6 x 2,3	47,60	47,60	<b>18,581</b>
55C70000	1.1/4" x 1.1/4"	2,6 x 2,6	48,00	48,00	<b>19,640</b>
55C90000	1.1/2" x 1"	2,6 x 2,6	57,10	57,10	<b>22,565</b>
55C11000	1.1/2" x 1.1/2"	2,6 x 2,6	57,00	57,00	<b>22,644</b>
55C12000	2" x 1"	2,9 x 2,6	63,50	50,80	<b>30,904</b>
55C14000	2" x 1.1/2"	2,9 x 2,6	63,50	60,30	<b>30,904</b>
55C15000	2" x 2"	2,9 x 2,9	64,00	64,00	<b>31,005</b>
55C16000	2.1/2" x 1.1/4"	2,9 x 2,6	76,20	63,50	<b>53,146</b>
55C17000	2.1/2" x 1.1/2"	2,9 x 2,6	76,20	66,70	<b>53,146</b>
55C18000	2.1/2" x 2"	2,9 x 2,9	76,20	69,50	<b>53,146</b>
55C19000	2.1/2" x 2.1/2"	2,9 x 2,9	76,00	76,00	<b>50,669</b>
55C2X000	3" x 1.1/2"	3,2 x 2,6	85,70	79,00	<b>66,350</b>
55C21000	3" x 2"	3,2 x 2,9	85,70	76,20	<b>66,350</b>
55C22000	3" x 2.1/2"	3,2 x 2,9	85,70	82,60	<b>66,350</b>
55C23000	3" x 3"	3,2 x 3,2	86,00	86,00	<b>65,588</b>
55C24000	4" x 2"	3,6 x 2,9	104,80	88,90	<b>103,909</b>
55C25000	4" x 2.1/2"	3,6 x 2,9	104,80	95,20	<b>103,961</b>
55C26000	4" x 3"	3,6 x 3,2	104,80	98,40	<b>103,975</b>
55C27000	4" x 4"	3,6 x 3,6	105,00	105,00	<b>93,727</b>
55C28000	5" x 2.1/2"	4,0 x 2,9	123,80	107,90	<b>165,146</b>
55C29000	5" x 3"	4,0 x 3,2	123,80	111,10	<b>165,179</b>
55C3X000	5" x 4"	4,0 x 3,6	123,80	117,50	<b>164,632</b>
55C31000	5" x 5"	4,0 x 4,0	124,00	124,00	<b>149,266</b>
55C32000	6" x 3"	4,5 x 3,2	142,80	123,80	<b>217,234</b>
55C33000	6" x 4"	4,5 x 3,6	142,80	130,10	<b>217,308</b>
55C34000	6" x 5"	4,5 x 4,0	142,80	136,00	<b>217,382</b>
55C35000	6" x 6"	4,5 x 4,5	143,00	143,00	<b>195,974</b>
55C36000	8" x 4"	6,3 x 3,6	177,80	155,50	<b>418,232</b>
55C37000	8" x 5"	6,3 x 4,0	177,80	161,80	<b>418,269</b>
55C38000	8" x 6"	6,3 x 4,5	177,80	168,20	<b>418,380</b>
55C39000	8" x 8"	6,3 x 6,3	178,00	178,00	<b>339,730</b>
55C41000	10" x 6"	6,3 x 4,5	215,90	193,70	<b>828,876</b>
55C42000	10" x 8"	6,3 x 6,3	215,90	203,20	<b>829,061</b>
55C43000	10" x 10"	6,3 x 6,3	216,00	216,00	<b>717,216</b>
55C45000	12" x 8"	7,1 x 6,3	254,00	228,60	<b>1176,780</b>
55C46000	12" x 10"	7,1 x 6,3	254,00	254,00	<b>1177,298</b>
55C47000	12" x 12"	7,1 x 7,1	254,00	254,00	<b>1106,137</b>

## Art. 59 FONDELLI BOMBATI CONVEX CAPS



**M** Acciaio S235



Nere



Scatole di cartone

CODE	CONF.	TYPE	Ø mm.	S mm	H mm	€
<b>59C33000</b>	20	1"	33,70	2,3	15	<b>1,338</b>
<b>59C42000</b>	20	1.1/4"	42,40	2,6	18	<b>1,444</b>
<b>59C48000</b>	20	1.1/2"	48,30	2,6	18	<b>1,650</b>
<b>59C60000</b>	10	2"	60,30	2,9	22	<b>2,116</b>
<b>59C76000</b>	10	2.1/2"	76,10	2,9	25	<b>2,756</b>
<b>59C89000</b>	10	3"	88,90	3,2	27	<b>3,462</b>
<b>59C10200</b>		3.1/2"	101,60	3,2	30	<b>8,687</b>
<b>59C10800</b>			108,00	3,2	34	<b>8,720</b>
<b>59C11400</b>		4"	114,30	3,2	34	<b>9,171</b>
<b>59C13300</b>			133,00	3,6	36	<b>12,330</b>
<b>59C14000</b>		5"	139,70	4,0	39	<b>17,032</b>
<b>59C15900</b>			159,00	4,0	41	<b>22,421</b>
<b>59C16800</b>		6"	168,30	4,0	43	<b>27,529</b>
<b>59C19400</b>			193,70	4,0	50	<b>45,246</b>
<b>59C21900</b>		8"	219,10	4,0	55	<b>45,393</b>
<b>59C27300</b>		10"	273,00	4,0	57	<b>63,846</b>
<b>59C32400</b>		12"	323,90	4,0	60	<b>70,877</b>
<b>59C35500</b>		14"	355,60	5,0	73	<b>141,008</b>
<b>59C40600</b>		16"	406,40	5,0	84	<b>212,405</b>
<b>59C45700</b>		18"	457,20	6,0	123	<b>309,913</b>
<b>59C50800</b>		20"	508,00	6,0	105	<b>360,024</b>
<b>59C60900</b>		24"	609,60	6,0	150	<b>a richiesta</b>

