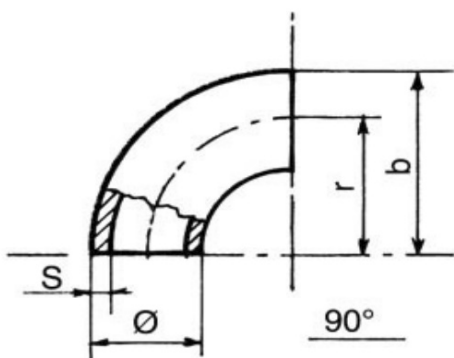


CURVE
ELBOWS



omec

Art. 50A CURVE DIMA 3D - 90° NORMALI WELDING ELBOWS



Curve dima 3D - 90° ricavate da tubo saldato.

M Acciaio ST37



Nere



Termoretraibile



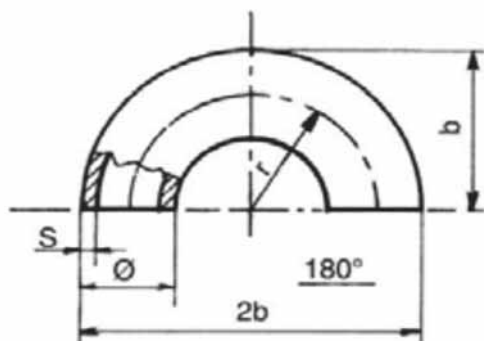
Scatole di cartone

CODE	CONF.	TYPE	DN	Ø mm	S mm	r mm	b mm	€
50A21000	300	1/2"	15	21,30	2,0	28	38	2,978
50A27000	300	3/4"	20	26,90	2,0	29	43	1,988
50A33000	200	1"	25	33,70	2,3	38	56	2,178
50A42000	100	1.1/4"	32	42,40	2,6	48	69	2,532
50A48000	100	1.1/2"	40	48,30	2,6	57	82	3,142
50A60000	50	2"	50	60,30	2,9	76	106	4,810
50A76000	5	2.1/2"	65	76,10	2,9	95	133	7,246
50A89000	4	3"	80	88,90	3,2	114	159	10,189
50A10200	3	3.1/2"	90	101,60	3,6	134	184	15,399
50A10800	3			108,00	3,6	143	196	17,054
50A11400	3	4"	100	114,30	3,6	152	210	19,406
50A13300	3			133,00	4,0	181	247	27,820
50A13900	3	5"	125	139,70	4,0	190	260	30,911
50A15900	3			159,00	4,5	216	294	44,218
50A16800	3	6"	150	168,30	4,5	229	313	49,932
50A19400				193,70	5,4	270	367	111,603
50A21900		8"	200	219,10	6,3	305	414	131,893
50A24400				244,50	6,3	340	462	a richiesta
50A27300		10"	250	273,00	6,3	381	518	a richiesta
50A32300		12"	300	323,90	6,3	457	619	a richiesta
50A35500		14"	350	355,60	6,3	533	711	a richiesta
50A40600		16"	400	406,40	6,3	610	813	a richiesta
50A45700		18"	450	457,20	6,3	686	914	a richiesta
50A50800		20"	500	508,00	6,3	762	1016	a richiesta
50A60900		24"	600	609,60	6,3	914	1219	a richiesta
50A71100		28"	700	711,20	7,1			a richiesta
50A81200		32"		812,80	8,8			a richiesta

Curve 45°: prezzo come 90°

Art. 51 CURVE DIMA 3D - 180° RICAVATE DA TUBO SALDATO WELDING ELBOWS 180° PRODUCED FROM WELDED PIPES

Curve dima 3D - 180° ricavate da tubo saldato



M Acciaio ST37

Nere

N DIN 1626

DIN 2470



Termoretraibile



Scatole di cartone

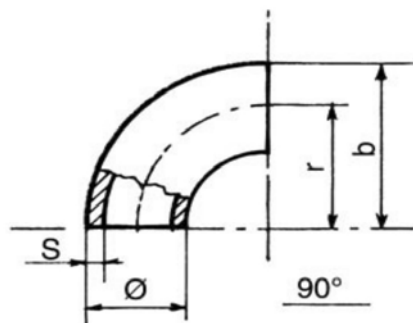
CODE	CONF.	TYPE	DN	Ø mm	S mm	r mm	b mm	€
51C27L00	300	3/4"	20	26,90	2,0*	29	43	4,950
51C33L00	200	1"	25	33,70	2,3*	38	56	5,376
51C42L00	100	1.1/4"	32	42,40	2,6	48	69	6,405
51C48L00	100	1.1/2"	40	48,30	2,6	57	82	7,808
51C60L00	50	2"	50	60,30	2,9	76	106	11,906
51C76L00	5	2.1/2"	65	76,10	2,9	95	133	17,970
51C89L00	5	3"	80	88,90	3,2	114	159	25,189
51C102L0	4	3.1/2"	90	101,60	3,6	134	184	36,588
51C108L0	4			108,00	3,6	143	196	42,133
51C114L0	4	4"	100	114,30	3,6	152	210	47,960
51C133L0	3			133,00	4,0	181	247	68,854
51C139L0	3	5"	125	139,70	4,0	190	260	76,466
51C159L0	3			159,00	4,5	216	294	109,289
51C168L0	3	6"	150	168,30	4,5	229	313	123,470
51C194L0				193,70	5,0*	270	367	a richiesta
51C219L0		8"	200	219,10	5,5*	305	414	a richiesta
51C273L0		10"	250	273,00	6,3	381	518	a richiesta
51C324L0		12"	300	323,90	7,1	457	619	a richiesta

* Spessori leggermente diversi dalla DIN 2605 e dalla ISO

Curve 45°: prezzo come 90°

Art. 52 CURVE DIMA 3D - 90° RICAVATE DA TUBO SENZA SALDATURA WELDING ELBOWS 90° PRODUCED FROM SEAMLESS PIPES

Curve dima 3D - 90° ricavate da tubo senza saldatura



M Acciaio ST37 DIN 1629
Acciaio ST35.8 DIN

Nere

N DIN 2605 e DIN 2609



Termoretraibile

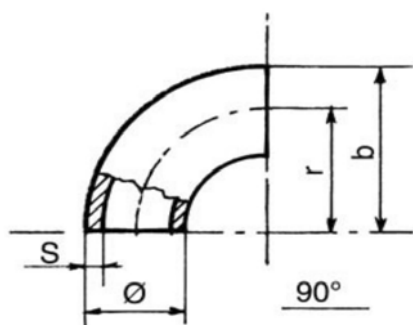


Scatole di cartone

CODE	CONF.	TYPE	DN	Ø mm	S mm	r mm	b mm	€
52C21000	300	1/2"	15	21,30	2,0	28	38	2,942
52C27000	300	3/4"	20	26,90	2,3	29	43	2,948
52C33000	200	1"	25	33,70	2,6	38	56	3,142
52C42000	100	1.1/4"	32	42,40	2,6	48	69	3,909
52C48000	100	1.1/2"	40	48,30	2,6	57	82	4,523
52C60000	50	2"	50	60,30	2,9	76	106	6,132
52C76000	5	2.1/2"	65	76,10	2,9	95	133	8,783
52C89000	5	3"	80	88,90	3,2	114	159	13,622
52C10200	4	3.1/2"	90	101,60	3,6	134	184	20,872
52C10800	4			108,00	3,2	143	196	23,928
52C11400	4	4"	100	114,30	3,6	152	210	24,950
52C13300	3			133,00	4,0	181	247	37,225
52C13900	3	5"	125	139,70	4,0	190	260	45,972
52C15900	3			159,00	4,5	216	294	59,081
52C16800	3	6"	150	168,30	4,5	229	313	66,589
52C19400				193,70	5,6	270	367	174,090
52C21900		8"	200	219,10	6,3	305	414	175,785
52C27300		10"	250	273,00	6,3	381	518	313,833
52C32300		12"	300	323,90	7,1	457	619	476,588

Art. 56 CURVE DIMA 5D - 90° RICAVATE DA TUBO SALDATO WELDING ELBOWS PRODUCED FROM WELDED PIPES

Curve dima 5D - 90° ricavate da tubo saldato.



M Tubi saldati ST37 DIN 1629 e ST 35.8 DIN

Nere

N DIN 2605 e DIN 2609



Termoretraibile



Scatole di cartone

CODE	CONF.	TYPE	DN	Ø mm	S mm	r mm	b mm	€
56C27000	200	3/4"	20	26,90	2,3	29	43	9,542
56C33000	100	1"	25	33,70	2,6	38	56	7,359
56C42000	50	1.1/4"	32	42,40	2,6	48	69	7,694
56C48000	50	1.1/2"	40	48,30	2,6	57	82	9,232
56C60000	5	2"	50	60,30	2,9	76	106	12,934
56C76000	5	2.1/2"	65	76,10	2,9	95	133	20,288
56C89000	5	3"	80	88,90	3,2	114	159	47,276
56C11400	3	4"	100	114,30	3,6	152	210	65,853

Art. 54 RIDUZIONI CONCENTRICHE CONCENTRIC REDUCTIONS

Ricavate da tubo senza saldatura

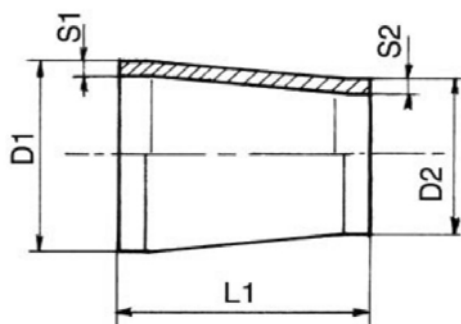
Acciaio ST35.8.1 DIN 17175

Nere

DIN 2616 e DIN 2609 - EN10253-1



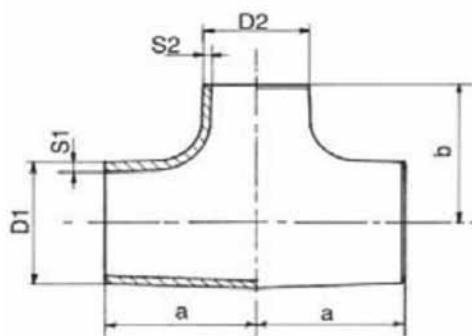
Scatole di cartone



CODE	D1 Ø x D2 Ø	D1 mm x D2 mm	S1 mm x S2 mm	L1 mm	€
54C10000	1" x 3/4"	33,70 x 26,90	2,6 x 2,3	50,80	5,702
54C20000	1.1/4" x 3/4"	42,40 x 26,90	2,6 x 2,3	50,80	6,620
54C30000	1.1/4" x 1"	42,40 x 33,70	2,6 x 2,6	50,80	5,719
54C40000	1.1/2" x 3/4"	48,30 x 26,90	2,6 x 2,3	63,50	9,325
54C50000	1.1/2" x 1"	48,30 x 33,70	2,6 x 2,6	63,50	7,502
54C60000	1.1/2" x 1 1/4"	48,30 x 42,40	2,6 x 2,6	63,50	8,555
54C70000	2" x 1"	60,30 x 33,70	2,9 x 2,6	76,20	9,117
54C80000	2" x 1.1/4"	60,30 x 42,40	2,9 x 2,6	76,20	8,790
54C90000	2" x 1.1/2"	60,30 x 48,30	2,9 x 2,6	76,20	8,372
54C1X000	2.1/2" x 1.1/4"	76,10 x 42,40	2,9 x 2,6	88,90	10,081
54C11000	2.1/2" x 1.1/2"	76,10 x 48,30	2,9 x 2,6	88,90	10,077
54C12000	2.1/2" x 2"	76,10 x 60,30	2,9 x 2,6	88,90	9,254
54C13000	3" x 1.1/2"	88,90 x 48,30	3,2 x 2,6	88,90	14,885
54C14000	3" x 2"	88,90 x 60,30	3,2 x 2,6	88,90	14,700
54C15000	3" x 2.1/2"	88,90 x 76,10	3,2 x 2,9	88,90	11,010
54C22000	4" x 2.1/2"	114,30 x 76,10	3,6 x 2,9	101,60	19,467
54C23000	4" x 3"	114,30 x 88,90	3,6 x 3,0	101,60	18,767
54C27000	5" x 2.1/2"	139,70 x 76,10	4,0 x 2,9	127,00	38,729
54C28000	5" x 3"	139,70 x 88,90	4,0 x 3,2	127,00	33,077
54C3X000	5" x 4"	139,70 x 114,30	4,0 x 3,6	127,00	29,595
54C35000	6" x 3"	168,30 x 88,90	4,5 x 3,2	139,70	59,526
54C36000	6" x 4"	168,30 x 114,30	4,5 x 3,6	139,70	45,904
54C37000	6" x 5"	168,30 x 139,70	4,5 x 4,0	139,70	40,272
54C38000	8" x 4"	219,10 x 114,30	6,3 x 3,6	152,40	94,918
54C39000	8" x 5"	219,10 x 139,70	6,3 x 4,0	152,40	63,311
54C41000	8" x 6"	219,10 x 168,30	6,3 x 4,5	152,40	67,800
54C42000	10" x 6"	273,00 x 168,3	6,3 x 4,5	178,00	121,415
54C43000	10" x 8"	273,00 x 219,10	6,3 x 4,5	178,00	111,548
54C44000	12" x 8"	323,90 x 219,10	7,1 x 6,3	203,00	226,616
54C45000	12" x 10"	323,90 x 273,00	7,1 x 6,3	203,00	206,731

Art. 55 RACCORDI A T NORMALI E RIDOTTI EQUAL AND REDUCING TEES

Ricavati da tubo senza saldatura



M Acciaio ST35.8 DIN 17175

Nere

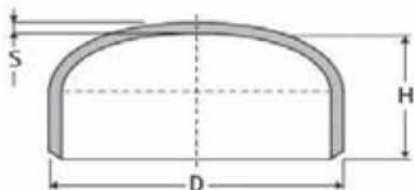


Scatole di cartone

N DIN 2615 e DIN 2609

CODE	D1 Ø x D2 Ø	S1 mm x S2 mm	a mm	b mm	€
55C10000	3/4" x 1/2"	2,3 x 2,0	28,50	28,50	10,647
55C20000	3/4" x 3/4"	2,3 x 2,3	29,00	29,00	10,692
55C38200	1" x 1/2"	2,6 x 2,0	38,10	38,10	13,737
55C40000	1" x 1"	2,6 x 2,6	38,00	38,00	12,435
55C50000	1.1/4" x 3/4"	2,6 x 2,3	47,60	47,60	14,345
55C70000	1.1/4" x 1.1/4"	2,6 x 2,6	48,00	48,00	13,001
55C90000	1.1/2" x 1"	2,6 x 2,6	57,10	57,10	18,253
55C11000	1.1/2" x 1.1/2"	2,6 x 2,6	57,00	57,00	16,024
55C12000	2" x 1"	2,9 x 2,6	63,50	50,80	23,851
55C14000	2" x 1.1/2"	2,9 x 2,6	63,50	60,30	23,851
55C15000	2" x 2"	2,9 x 2,9	64,00	64,00	20,904
55C16000	2.1/2" x 1.1/4"	2,9 x 2,6	76,20	63,50	42,294
55C17000	2.1/2" x 1.1/2"	2,9 x 2,6	76,20	66,70	42,294
55C18000	2.1/2" x 2"	2,9 x 2,9	76,20	69,50	42,294
55C19000	2.1/2" x 2.1/2"	2,9 x 2,9	76,00	76,00	37,147
55C2X000	3" x 1.1/2"	3,2 x 2,6	85,70	79,00	53,677
55C21000	3" x 2"	3,2 x 2,9	85,70	76,20	53,677
55C22000	3" x 2.1/2"	3,2 x 2,9	85,70	82,60	53,677
55C23000	3" x 3"	3,2 x 3,2	86,00	86,00	47,115
55C24000	4" x 2"	3,6 x 2,9	104,80	88,90	83,618
55C25000	4" x 2.1/2"	3,6 x 2,9	104,80	95,20	83,618
55C26000	4" x 3"	3,6 x 3,2	104,80	98,40	83,618
55C27000	4" x 4"	3,6 x 3,6	105,00	105,00	73,465
55C28000	5" x 2.1/2"	4,0 x 2,9	123,80	107,90	133,215
55C29000	5" x 3"	4,0 x 3,2	123,80	111,10	133,215
55C3X000	5" x 4"	4,0 x 3,6	123,80	117,50	133,215
55C31000	5" x 5"	4,0 x 4,0	124,00	124,00	117,073
55C32000	6" x 3"	4,5 x 3,2	142,80	123,80	174,918
55C33000	6" x 4"	4,5 x 3,6	142,80	130,10	174,918
55C34000	6" x 5"	4,5 x 4,0	142,80	136,00	174,918
55C35000	6" x 6"	4,5 x 4,5	143,00	143,00	153,811
55C36000	8" x 4"	6,3 x 3,6	177,80	155,50	295,944
55C37000	8" x 5"	6,3 x 4,0	177,80	161,80	295,944
55C38000	8" x 6"	6,3 x 4,5	177,80	168,20	295,944
55C39000	8" x 8"	6,3 x 6,3	178,00	178,00	259,723
55C41000	10" x 6"	6,3 x 4,5	215,90	193,70	531,319
55C42000	10" x 8"	6,3 x 6,3	215,90	203,20	531,319
55C43000	10" x 10"	6,3 x 6,3	216,00	216,00	467,027
55C45000	12" x 8"	7,1 x 6,3	254,00	228,60	910,596
55C46000	12" x 10"	7,1 x 6,3	254,00	254,00	910,596
55C47000	12" x 12"	7,1 x 7,1	254,00	254,00	798,732

Art. 59 FONDELLI BOMBATI CONVEX CAPS



M Acciaio S235



Nere



Scatole di cartone

CODE	CONF.	TYPE	Ø mm.	S mm	H mm	€
59C33000	20	1"	33,70	2,3	15	1,236
59C42000	20	1.1/4"	42,40	2,6	18	1,335
59C48000	20	1.1/2"	48,30	2,6	18	1,512
59C60000	10	2"	60,30	2,9	22	2,296
59C76000	10	2.1/2"	76,10	2,9	25	2,765
59C89000	10	3"	88,90	3,2	27	3,382
59C10200		3.1/2"	101,60	3,2	30	5,504
59C10800			108,00	3,2	34	5,534
59C11400		4"	114,30	3,2	34	5,361
59C13300			133,00	3,6	36	10,399
59C14000		5"	139,70	4,0	39	11,332
59C15900			159,00	4,0	41	15,261
59C16800		6"	168,30	4,0	43	15,293
59C19400			193,70	4,0	50	24,062
59C21900		8"	219,10	4,0	55	27,773
59C27300		10"	273,00	4,0	57	41,817
59C32400		12"	323,90	4,0	60	46,471
59C35500		14"	355,60	5,0	73	197,078
59C40600		16"	406,40	5,0	84	229,057
59C45700		18"	457,20	6,0	123	430,591
59C50800		20"	508,00	6,0	105	421,624
59C60900		24"	609,60	6,0	150	626,945

