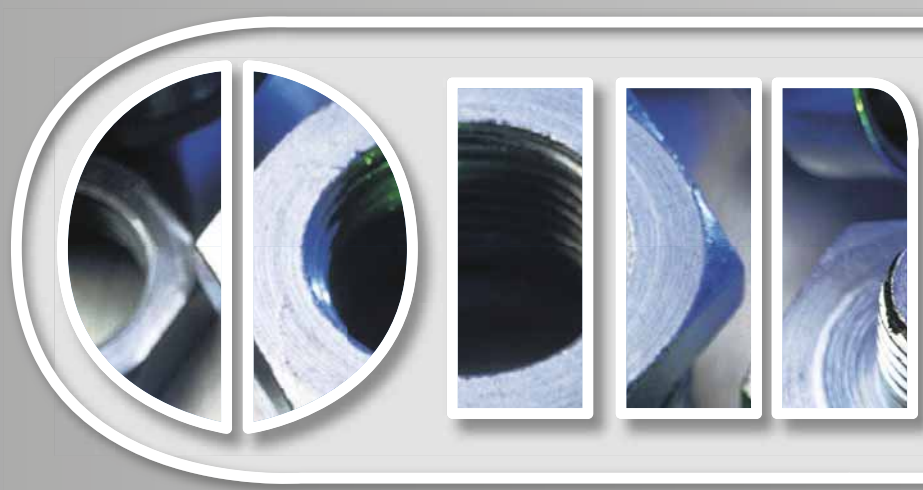


RACCORDERIA ZINCATA  
*GALVANIZED FITTINGS*



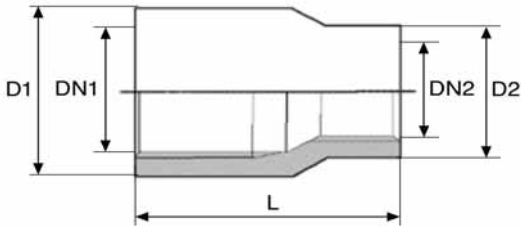
**omec**

## Art. 240 MANICOTTO RIDOTTO F.F. REDUCING SOCKET F.F.



**M** Fe 42  
 Zincato bianco

Buste PLT  
 Scatole di cartone



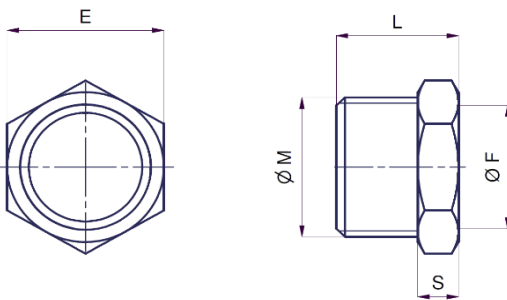
CODE	CONF.	DN1 X DN2	D1 mm X D2 mm	L mm	€
240C1418	100	1/4" x 1/8"	18 x 15	22	1,435
240C3818	100	3/8" x 1/8"	20 x 15	24	1,373
240C3814	100	3/8" x 1/4"	20 x 18	22	1,019
240C1214	100	1/2" x 1/4"	24 x 18	27	1,760
240C1238	100	1/2" x 3/8"	24 x 21	25,5	0,924
240C3414	100	3/4" x 1/4"	30 x 18	24	3,233
240C3438	100	3/4" x 3/8"	30 x 22	24	1,976
240C3412	100	3/4" x 1/2"	30 x 26	27	1,424
240C1380	100	1" x 3/8"	38 x 20	30	3,011
240C1120	100	1" x 1/2"	38 x 26	30	3,087
240C1340	100	1" x 3/4"	38 x 30	30	2,703
240C1143	50	1.1/4" x 1"	46 x 42	33,5	9,143

## Art. 241 RIDUZIONE ESAGONALE M.F. HEXAGONAL REDUCER M.F.



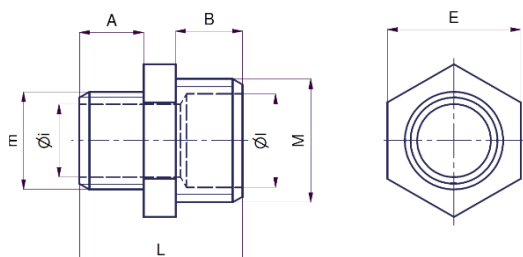
**M** Fe 42  
 Zincato bianco

Buste PLT  
 Scatole di cartone



CODE	CONF.	M X F	E mm	L mm	S mm	€
241C1418	100	1/4" x 1/8"	16	16	5	0,489
241C3818	100	3/8" x 1/8"	19	17	6	0,660
241C3814	100	3/8" x 1/4"	19	17	6	0,398
241C1218	100	1/2" x 1/8"	22	21	7	0,922
241C1214	100	1/2" x 1/4"	22	21	7	0,524
241C1238	100	1/2" x 3/8"	22	21	7	0,462
241C3414	100	3/4" x 1/4"	27	21	7	0,955
241C3438	100	3/4" x 3/8"	27	21	7	1,184
241C3412	100	3/4" x 1/2"	27	21	7	0,582
<b>RIDUZIONI TORNITE</b>						
241C1140	100	1" x 1/4"	34	21	7	1,746
241C1380	100	1" x 3/8"	34	21	7	1,786
241C1120	100	1" x 1/2"	34	21	7	1,493
241C1340	100	1" x 3/4"	34	21	7	1,234
241C1412	50	1.1/4" x 1/2"	42	23	7	3,900
241C1434	50	1.1/4" x 3/4"	42	23	7	3,665
241C1141	50	1.1/4" x 1"	42	23	7	3,773
241C1122	50	1.1/2" x 1/2"	50	25	7	17,159
241C1123	50	1.1/2" x 3/4"	50	25	7	17,162
241C1121	50	1.1/2" x 1"	50	25	7	17,165
241C1124	50	1.1/2" x 1.1/4"	50	25	7	17,155
241C2120	25	2" x 1/2"	60	27	7	19,704
241C2340	25	2" x 3/4"	60	27	7	19,704
241C2100	25	2" x 1"	60	27	7	19,704
241C2114	25	2" x 1.1/4"	60	27	7	20,612
241C2112	25	2" x 1.1/2"	60	27	7	20,614

**Art. 245 NIPPLO ESAGONALE RIDOTTO M.M.**  
**HEXAGONAL REDUCING NIPPLE M.M.**

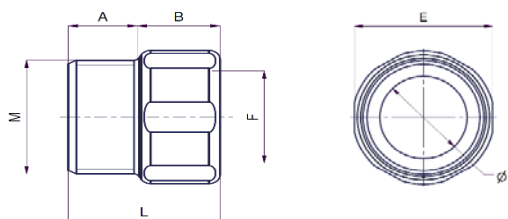


**M** Fe 42  
 Zincato bianco

Buste PLT  
 Scatole di cartone

CODE	CONF.	M X E	B mm	A mm	E mm	L mm	€
245C1418	100	1/4" x 1/8"	10	10	9	25	0,780
245C3818	100	3/8" x 1/8"	10	10	17	24,5	1,426
245C3814	100	3/8" x 1/4"	11,5	10	19	26,5	0,653
245C1218	100	1/2" x 1/8"	11	11	22	27	1,649
245C1214	100	1/2" x 1/4"	13,5	10	22	29	0,936
245C1238	100	1/2" x 3/8"	13,5	11	22	30	0,582
245C3414	100	3/4" x 1/4"	12,5	11	27	31	2,262
245C3438	100	3/4" x 3/8"	13,5	13,5	27	34	1,596
245C3412	100	3/4" x 1/2"	13,5	13,5	27	34	1,071
<b>RIDUZIONI TORNITE</b>							
245C1140	100	1" x 1/4"	16,5	14	34	39	3,900
245C1380	100	1" x 3/8"	16,5	14	34	39	3,900
245C1120	100	1" x 1/2"	14,5	13,5	34	34,5	2,547
245C1340	100	1" x 3/4"	14,5	13,5	34	34,5	2,687
245C1144	50	1.1/4" x 1/4"	16	11	42	34	5,366
245C1148	50	1.1/4" x 3/8"	16	11	42	34	5,632
245C1142	50	1.1/4" x 1/2"	16	12	42	35	5,638
245C1143	50	1.1/4" x 3/4"	16	13	42	35	5,930
245C1141	50	1.1/4" x 1"	16	15	42	38	7,000
245C1128	50	1.1/2" x 3/8"	18	11	50	36	17,422
245C1122	50	1.1/2" x 1/2"	18	12	50	37	17,626
245C1123	50	1.1/2" x 3/4"	18	12	50	37	17,626
245C1121	50	1.1/2" x 1"	18	15	50	40	17,861
245C1124	50	1.1/2" X 1.1/4"	18	16	50	41	18,468
245C2120	25	2" X 1/2"	18	12	60	36	25,314
245C2340	25	2" X 3/4"	18	12	60	37	25,620
245C2100	25	2" X 1"	18	14	60	37	25,620
245C2114	25	2" X 1.1/4"	18	18	60	41	27,418
245C2112	25	2" X 1.1/2"	18	18	60	43	29,209

**Art. 246 PROLUNGA RIDOTTA F.M.**  
**REDUCING EXTENSION F.M.**



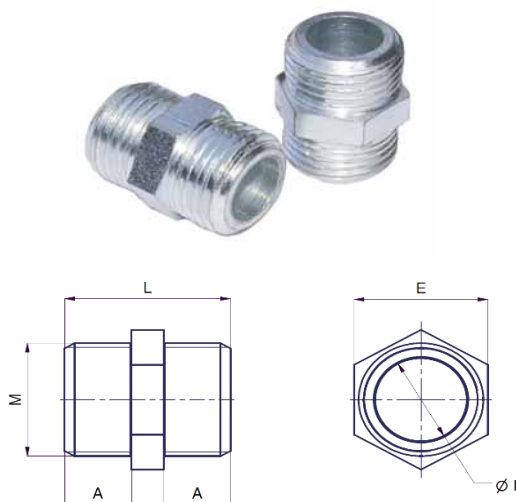
**M** Fe 42  
 Zincato bianco

Buste PLT  
 Scatole di cartone

CODE	CONF.	F x M	B mm	A mm	E mm	L mm	€
246C1418	100	1/4" X 1/8"	10	10	17	24	1,514
246C3818	100	3/8" X 1/8"	10	10	17	25	1,366
246C3814	100	3/8" X 1/4"	10	10	20	22	0,769
246C3812	100	1/2" x 3/8"	11,5	11,5	24	24	0,827
246C1214	100	1/2" X 1/4"	10	10	24	25	1,172
246C3438	100	3/4" X 3/8"	13	13	30	28	1,575
246C3412	100	3/4" X 1/2"	12	12	30	27	1,591
<b>PROLUNGHE TORNITE</b>							
246C1380	100	1" X 3/8"	15	15	38	30	3,400
246C1120	100	1" X 1/2"	14,5	14,5	38	29,5	3,352
246C1340	100	1" X 3/4"	14,5	14,5	38	29,5	3,900
246C1141	50	1.1/4" X 1"	15	15	50	33	6,060



## Art. 280 NIPPLO ESAGONALE M.M. HEXAGONAL NIPPLE M.M.



**M** Fe 42  
Zincato bianco

Buste PLT  
Scatole di cartone

CODE	CONF.	M	A mm	L mm	E mm	€
280C1800	100	1/8"	10	25	15	1,407
280C1400	100	1/4"	10	24,5	15	0,629
280C3800	100	3/8"	11,5	29	19	0,431
280C1200	100	1/2"	13,5	34	22	0,547
280C3400	100	3/4"	13,5	33,5	27	0,710
<b>TORNITI</b>						
280C1000	100	1"	14	34,5	34	1,919
280C1140	50	1.1/4"	16	39	42	4,086
280C1120	50	1.1/2"	18	43	50	7,381
280C2000	25	2"	18	43	60	10,858

## Art. 280T NIPPLO M.M. CON BATTUTA PIANA TORNITA NIPPLE M.M. WITH TURNED SEAT

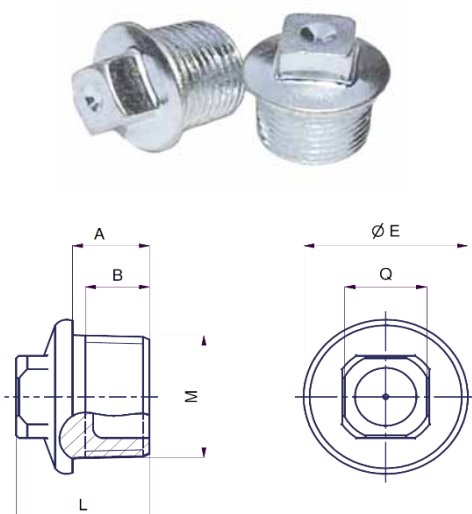


**M** Fe 42  
Zincato bianco

Buste PLT  
Scatole di cartone

CODE	CONF.	M	A mm	L mm	E mm	€
280T12PI	100	1/2"	13,5	34	22	2,000

## Art. 290 TAPPO M. CONICO CON QUADRO PLUG M. WITH SQUARE NUT

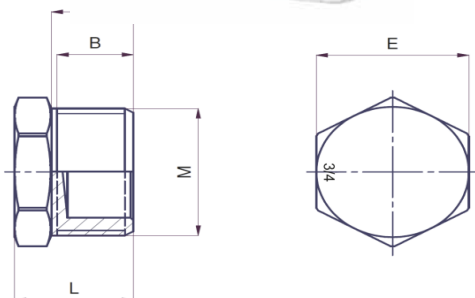


**M** Fe 42  
Zincato bianco

Buste PLT  
Scatole di cartone

CODE	CONF.	M	A mm	B mm	E mm	L mm	Q mm	€
290C1400	100	1/4"	12	10	15	19	9	0,621
290C3800	100	3/8"	12	10	21	21	10	0,714
290C1200	100	1/2"	13	11	25	22	12	0,747
290C3400	100	3/4"	15	12,5	32	26	17	1,371
290C1000	100	1"	16	13	40	28	19	1,628

**Art. 292 TAPPO M. ESAGONALE**  
**HEXAGONAL M. PLUG**

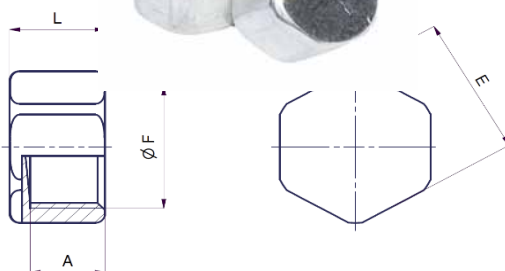


**M** Fe 42  
Zincato bianco

Buste PLT  
Scatole di cartone

CODE	CONF.	M	A mm	B mm	E mm	L mm	€
292C1800	100	1/8"	10	9	14	14	0,699
292C1400	100	1/4"	10,5	10	15	15,5	0,396
292C3800	100	3/8"	11,3	11	19	17,5	0,396
292C1200	100	1/2"	13,5	13	22	20	0,466
292C3400	100	3/4"	14,5	14	27	21	0,641
<b>TORNITI</b>							
292C1000	100	1"	14	12	34	21	4,516
292C1140	50	1.1/4"	16	14	42	23	4,629
292C1120	50	1.1/2"	18	16	50	25	6,199
292C2000	25	2"	18	16	60	25	7,037

**Art. 300 TAPPO F. ESAGONALE**  
**HEXAAGONAL F. CAPS**

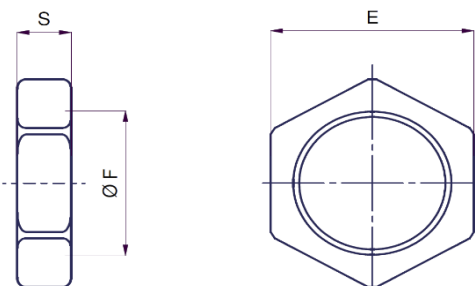


**M** Fe 42  
Zincato bianco

Buste PLT  
Scatole di cartone

CODE	CONF.	F.	L mm	A mm	E mm	€
300C1800	100	1/8"	12	7	14	0,615
300C1400	100	1/4"	15	10,5	20	0,555
300C3800	100	3/8"	15	10,5	20	0,534
300C1200	100	1/2"	24	12,5	24	0,540
300C3400	100	3/4"	30	14,5	30	0,994
<b>TORNITI</b>						
300C1000	100	1"	22	16	38	3,708
300C1140	50	1.1/4"	22	16	50	10,462
300C1120	50	1.1/2"	22	16	60	12,862

**Art. 310 GHIERA - CONTRODADO**  
**LOCK NUT**

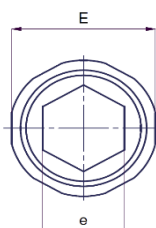
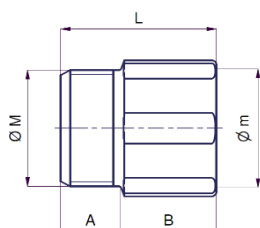
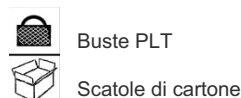


**M** Fe 42  
Zincato bianco

Buste PLT  
Scatole di cartone

CODE	CONF.	F	E mm	S mm	€
310C1800	100	1/8"	17	5	0,967
310C1400	100	1/4"	19	5	0,853
310C3800	100	3/8"	22	7,5	0,641
310C1200	100	1/2"	27	8	0,710
310C3400	100	3/4"	34	9	1,107
<b>TORNITE</b>					
310C1000	100	1"	42	10	4,923
310C1140	50	1.1/4"	50	10	7,449
310C1120	50	1.1/2"	60	10	9,675
310C2000	25	2"			a richiesta

## Art. 520 PROLUNGA M.F. EXTENSION M.F.

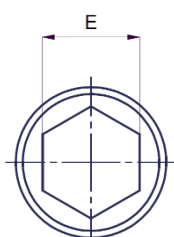
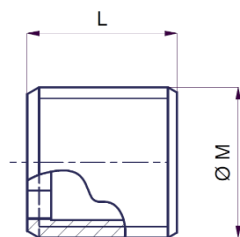
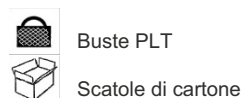
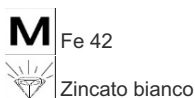


CODE	CONF.	M F	B mm	A mm	L mm	E mm	€
520C1415	100	1/4"	15	10	25	20	1,028
520C3810	100	3/8"	10	10	22	20	0,396
520C3815	100	3/8"	15	10	25	20	0,396
520C3820	100	3/8"	20	10	30	20	0,431
520C3825	100	3/8"	25	10	35	20	0,791
520C3830	100	3/8"	30	10	40	20	0,831
520C3840	100	3/8"	40	10	50	20	1,713
520C3850	100	3/8"	50	10	60	20	2,218
520C1210	100	1/2"	10	11,5	23,5	24	0,396
520C1215	100	1/2"	15	11,5	26,5	24	0,396
520C1220	100	1/2"	20	11,5	31,5	24	0,454
520C1225	100	1/2"	25	11,5	36,5	24	0,641
520C1230	100	1/2"	30	11,5	41,5	24	0,699
520C1240	100	1/2"	40	11,5	51,5	24	1,281
520C1250	100	1/2"	50	11,5	61,5	24	1,514
520C3410	100	3/4"	10	12,5	24,5	30	0,785
520C3415	100	3/4"	15	12,5	27,5	30	0,929
520C3420	100	3/4"	20	12,5	32,5	30	0,932
520C3425	100	3/4"	25	12,5	37,5	30	1,315
520C3430	100	3/4"	30	12,5	42,5	30	1,413
520C3440	50	3/4"	40	12,5	52,5	30	3,039
520C3450	50	3/4"	50	12,5	62,5	30	4,056

### PROLUNGHE TORNITE

520C1150	50	1"	15	15	30	38	5,731
520C1200	25	1"	20	15	35	38	5,898
520C125X	25	1"	25	15	40	38	5,902
520C1300	25	1"	30	15	45	38	6,235
520C1400	25	1"	40	15	55	38	6,343
520C1500	25	1"	50	15	65	38	6,711
520C1142	25	1.1/4"	18	15	33	50	6,593

## Art. 531 NIPPOLO M. TUTTO FILETTO ALL THREADED M. NIPPLE



CODE	CONF.	M	L mm	E mm	€
531C3800	100	3/8"	22	9	1,115
531C1200	100	1/2"	25	13	0,535
531C3400	100	3/4"	25	16	0,772
531C1000	100	1"	30	20	1,307
531C1140	10	1.1/4"	40	31,5	2,080
531C1120	10	1.1/2"	42	37,5	2,496
531C2000	10	2"	43	49	5,824