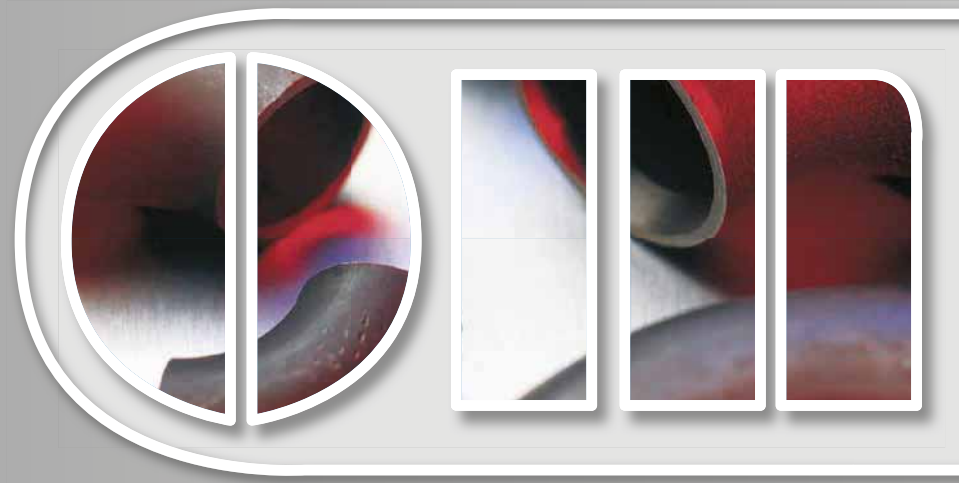
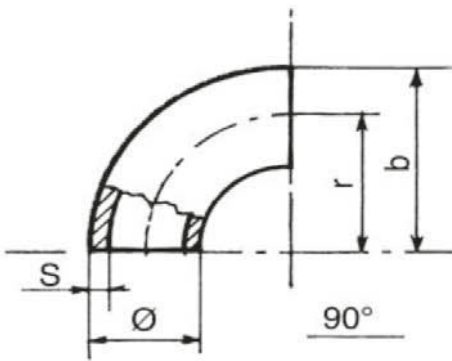


CURVE
ELBOWS



omec

Art. 50A CURVE DIMA 3D - 90° NORMALI WELDING ELBOWS



Curve dima 3D - 90° ricavate da tubo saldato.

M Acciaio ST37

 Nere

 Termoretraibile

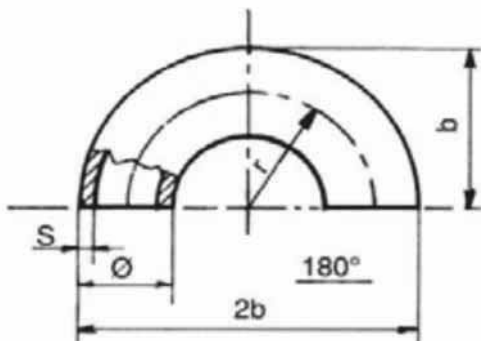
 Scatole di cartone

CODE	CONF.	TYPE	DN	Ø mm	S mm	r mm	b mm	€
50A21000	300	1/2"	15	21,30	2,0	28	38	2,760
50A27000	300	3/4"	20	26,90	2,0	29	43	1,860
50A33000	200	1"	25	33,70	2,3	38	56	2,002
50A42000	100	1.1/4"	32	42,40	2,6	48	69	2,350
50A48000	100	1.1/2"	40	48,30	2,6	57	82	2,889
50A60000	50	2"	50	60,30	2,9	76	106	4,426
50A76000	5	2.1/2"	65	76,10	2,9	95	133	6,663
50A89000	4	3"	80	88,90	3,2	114	159	9,374
50A10200	3	3.1/2"	90	101,60	3,6	134	184	15339
50A10800	3			108,00	3,6	143	196	15,691
50A11400	3	4"	100	114,30	3,6	152	210	17,853
50A13300	3			133,00	4,0	181	247	25,601
50A13900	3	5"	125	139,70	4,0	190	260	28,443
50A15900	3			159,00	4,5	216	294	40,692
50A16800	3	6"	150	168,30	4,5	229	313	45,947
50A19400				193,70	5,4	270	367	102,590
50A21900		8"	200	219,10	6,3	305	414	121,331
50A24400				244,50	6,3	340	462	a richiesta
50A27300		10"	250	273,00	6,3	381	518	a richiesta
50A32300		12"	300	323,90	6,3	457	619	a richiesta
50A35500		14"	350	355,60	6,3	533	711	a richiesta
50A40600		16"	400	406,40	6,3	610	813	a richiesta
50A45700		18"	450	457,20	6,3	686	914	a richiesta
50A50800		20"	500	508,00	6,3	762	1016	a richiesta
50A60900		24"	600	609,60	6,3	914	1219	a richiesta
50A71100		28"	700	711,20	7,1			a richiesta
50A81200		32"		812,80	8,8			a richiesta

Curve 45°: prezzo come 90°

Art. 51 CURVE DIMA 3D - 180° RICAVATE DA TUBO SALDATO WELDING ELBOWS 180° PRODUCED FROM WELDED PIPES

Curve dima 3D - 180° ricavate da tubo saldato



M Acciaio ST37

Nere

DIN 1626

N DIN 2470



Termoretraibile



Scatole di cartone

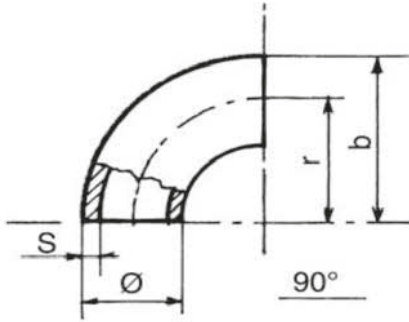
CODE	CONF.	TYPE	DN	Ø mm	S mm	r mm	b mm	€
51C27L00	300	3/4"	20	26,90	2,0*	29	43	4,893
51C33L00	200	1"	25	33,70	2,3*	38	56	5,282
51C42L00	100	1.1/4"	32	42,40	2,6	48	69	6,405
51C48L00	100	1.1/2"	40	48,30	2,6	57	82	7,623
51C60L00	50	2"	50	60,30	2,9	76	106	11,561
51C76L00	5	2.1/2"	65	76,10	2,9	95	133	17,325
51C89L00	5	3"	80	88,90	3,2	114	159	24,339
51C102L0	4	3.1/2"	90	101,60	3,6	134	184	35,301
51C108L0	4			108,00	3,6	143	196	40,583
51C114L0	4	4"	100	114,30	3,6	152	210	46,305
51C133L0	3			133,00	4,0	181	247	66,318
51C139L0	3	5"	125	139,70	4,0	190	260	73,679
51C159L0	3			159,00	4,5	216	294	105,252
51C168L0	3	6"	150	168,30	4,5	229	313	118,944
51C194L0				193,70	5,0*	270	367	a richiesta
51C219L0		8"	200	219,10	5,5*	305	414	a richiesta
51C273L0		10"	250	273,00	6,3	381	518	a richiesta
51C324L0		12"	300	323,90	7,1	457	619	a richiesta

* Spessori leggermente diversi dalla DIN 2605 e dalla ISO

Curve 45°: prezzo come 90°

Art. 52 CURVE DIMA 3D - 90° RICAVATE DA TUBO SENZA SALDATURA WELDING ELBOWS 90° PRODUCED FROM SEAMLESS PIPES

Curve dima 3D - 90° ricavate da tubo senza saldatura



M Acciaio ST37 DIN 1629
Acciaio ST35.8 DIN
N DIN 2605 e DIN 2609



Nere



Termoretraibile

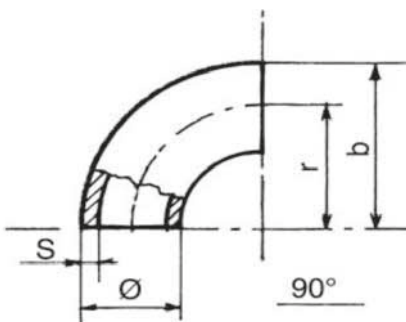


Scatole di cartone

CODE	CONF.	TYPE	DN	Ø mm	S mm	r mm	b mm	€
52C21000	300	1/2"	15	21,30	2,0	28	38	2,699
52C27000	300	3/4"	20	26,90	2,3	29	43	2,705
52C33000	200	1"	25	33,70	2,6	38	56	2,882
52C42000	100	1.1/4"	32	42,40	2,6	48	69	3,590
52C48000	100	1.1/2"	40	48,30	2,6	57	82	4,152
52C60000	50	2"	50	60,30	2,9	76	106	5,700
52C76000	5	2.1/2"	65	76,10	2,9	95	133	8,071
52C89000	5	3"	80	88,90	3,2	114	159	12,519
52C10200	4	3.1/2"	90	101,60	3,6	134	184	19,260
52C10800	4			108,00	3,2	143	196	23,928
52C11400	4	4"	100	114,30	3,6	152	210	22,934
52C13300	3			133,00	4,0	181	247	34,240
52C13900	3	5"	125	139,70	4,0	190	260	42,251
52C15900	3			159,00	4,5	216	294	54,330
52C16800	3	6"	150	168,30	4,5	229	313	61,217
52C19400				193,70	5,6	270	367	159,871
52C21900		8"	200	219,10	6,3	305	414	161,566
52C27300		10"	250	273,00	6,3	381	518	288,352
52C32300		12"	300	323,90	7,1	457	619	440,000

Art. 56 CURVE DIMA 5D - 90° RICAVATE DA TUBO SALDATO WELDING ELBOWS PRODUCED FROM WELDED PIPES

Curve dima 5D - 90° ricavate da tubo saldato.



M Tubi saldati ST37 DIN 1629 e ST 35.8 DIN
N DIN 2605 e DIN 2609



Nere



Termoretraibile

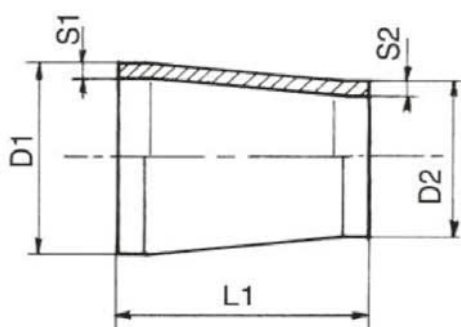


Scatole di cartone

CODE	CONF.	TYPE	DN	Ø mm	S mm	r mm	b mm	€
56C27000	200	3/4"	20	26,90	2,3	29	43	9,076
56C33000	100	1"	25	33,70	2,6	38	56	7,359
56C42000	50	1.1/4"	32	42,40	2,6	48	69	7,694
56C48000	50	1.1/2"	40	48,30	2,6	57	82	9,232
56C60000	5	2"	50	60,30	2,9	76	106	12,934
56C76000	5	2.1/2"	65	76,10	2,9	95	133	17,952
56C89000	5	3"	80	88,90	3,2	114	159	47,276
56C11400	3	4"	100	114,30	3,6	152	210	58,455

Art. 54 RIDUZIONI CONCENTRICHE CONCENTRIC REDUCTIONS

Ricavate da tubo senza saldatura



M Acciaio ST35.8.1 DIN 17175

Nere

N DIN 2616 e DIN 2609 - EN10253-1

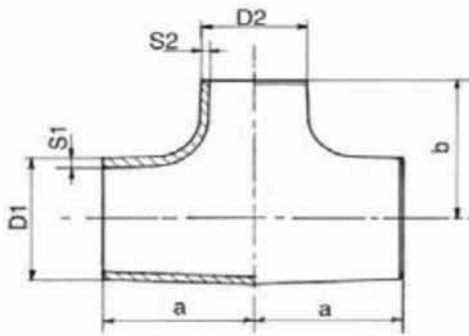


Scatole di cartone

CODE	D1 Ø x D2 Ø	D1 mm x D2 mm	S1 mm x S2 mm	L1 mm	€
54C10000	1" x 3/4"	33,70 x 26,90	2,6 x 2,3	50,80	5,607
54C20000	1.1/4" x 3/4"	42,40 x 26,90	2,6 x 2,3	50,80	6,082
54C30000	1.1/4" x 1"	42,40 x 33,70	2,6 x 2,6	50,80	5,619
54C40000	1.1/2" x 3/4"	48,30 x 26,90	2,6 x 2,3	63,50	8,394
54C50000	1.1/2" x 1"	48,30 x 33,70	2,6 x 2,6	63,50	6,883
54C60000	1.1/2" x 1 1/4"	48,30 x 42,40	2,6 x 2,6	63,50	8,555
54C70000	2" x 1"	60,30 x 33,70	2,9 x 2,6	76,20	8,607
54C80000	2" x 1.1/4"	60,30 x 42,40	2,9 x 2,6	76,20	8,066
54C90000	2" x 1.1/2"	60,30 x 48,30	2,9 x 2,6	76,20	8,372
54C1X000	2.1/2" x 1.1/4"	76,10 x 42,40	2,9 x 2,6	88,90	10,081
54C11000	2.1/2" x 1.1/2"	76,10 x 48,30	2,9 x 2,6	88,90	9,251
54C12000	2.1/2" x 2"	76,10 x 60,30	2,9 x 2,6	88,90	9,254
54C13000	3" x 1.1/2"	88,90 x 48,30	3,2 x 2,6	88,90	14,885
54C14000	3" x 2"	88,90 x 60,30	3,2 x 2,6	88,90	14,700
54C15000	3" x 2.1/2"	88,90 x 76,10	3,2 x 2,9	88,90	11,010
54C22000	4" x 2.1/2"	114,30 x 76,10	3,6 x 2,9	101,60	18,742
54C23000	4" x 3"	114,30 x 88,90	3,6 x 3,0	101,60	17,879
54C27000	5" x 2.1/2"	139,70 x 76,10	4,0 x 2,9	127,00	38,729
54C28000	5" x 3"	139,70 x 88,90	4,0 x 3,2	127,00	33,077
54C3X000	5" x 4"	139,70 x 114,30	4,0 x 3,6	127,00	29,595
54C35000	6" x 3"	168,30 x 88,90	4,5 x 3,2	139,70	59,526
54C36000	6" x 4"	168,30 x 114,30	4,5 x 3,6	139,70	42,157
54C37000	6" x 5"	168,30 x 139,70	4,5 x 4,0	139,70	40,272
54C38000	8" x 4"	219,10 x 114,30	6,3 x 3,6	152,40	94,918
54C39000	8" x 5"	219,10 x 139,70	6,3 x 4,0	152,40	62,518
54C41000	8" x 6"	219,10 x 168,30	6,3 x 4,5	152,40	67,800
54C42000	10" x 6"	273,00 x 168,3	6,3 x 4,5	178,00	115,078
54C43000	10" x 8"	273,00 x 219,10	6,3 x 4,5	178,00	111,548
54C44000	12" x 8"	323,90 x 219,10	7,1 x 6,3	203,00	226,616
54C45000	12" x 10"	323,90 x 273,00	7,1 x 6,3	203,00	206,731

Art. 55 RACCORDI A T NORMALI E RIDOTTI EQUAL AND REDUCING TEES

Ricavati da tubo senza saldatura



M Acciaio ST35.8 DIN 17175

Nere

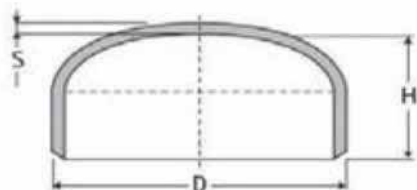


Scatole di cartone

N DIN 2615 e DIN 2609

CODE	D1 Ø x D2 Ø	S1 mm x S2 mm	a mm	b mm	€
55C10000	3/4" x 1/2"	2,3 x 2,0	28,50	28,50	10,647
55C20000	3/4" x 3/4"	2,3 x 2,3	29,00	29,00	9,803
55C38200	1" x 1/2"	2,6 x 2,0	38,10	38,10	12,600
55C40000	1" x 1"	2,6 x 2,6	38,00	38,00	11,405
55C50000	1.1/4" x 3/4"	2,6 x 2,3	47,60	47,60	13,162
55C70000	1.1/4" x 1.1/4"	2,6 x 2,6	48,00	48,00	11,929
55C90000	1.1/2" x 1"	2,6 x 2,6	57,10	57,10	16,750
55C11000	1.1/2" x 1.1/2"	2,6 x 2,6	57,00	57,00	14,705
55C12000	2" x 1"	2,9 x 2,6	63,50	50,80	21,892
55C14000	2" x 1.1/2"	2,9 x 2,6	63,50	60,30	21,892
55C15000	2" x 2"	2,9 x 2,9	64,00	64,00	19,187
55C16000	2.1/2" x 1.1/4"	2,9 x 2,6	76,20	63,50	38,811
55C17000	2.1/2" x 1.1/2"	2,9 x 2,6	76,20	66,70	38,811
55C18000	2.1/2" x 2"	2,9 x 2,9	76,20	69,50	38,811
55C19000	2.1/2" x 2.1/2"	2,9 x 2,9	76,00	76,00	34,090
55C2X000	3" x 1.1/2"	3,2 x 2,6	85,70	79,00	49,263
55C21000	3" x 2"	3,2 x 2,9	85,70	76,20	49,263
55C22000	3" x 2.1/2"	3,2 x 2,9	85,70	82,60	49,263
55C23000	3" x 3"	3,2 x 3,2	86,00	86,00	43,244
55C24000	4" x 2"	3,6 x 2,9	104,80	88,90	76,745
55C25000	4" x 2.1/2"	3,6 x 2,9	104,80	95,20	76,745
55C26000	4" x 3"	3,6 x 3,2	104,80	98,40	76,745
55C27000	4" x 4"	3,6 x 3,6	105,00	105,00	67,436
55C28000	5" x 2.1/2"	4,0 x 2,9	123,80	107,90	122,289
55C29000	5" x 3"	4,0 x 3,2	123,80	111,10	122,289
55C3X000	5" x 4"	4,0 x 3,6	123,80	117,50	122,289
55C31000	5" x 5"	4,0 x 4,0	124,00	124,00	107,494
55C32000	6" x 3"	4,5 x 3,2	142,80	123,80	160,581
55C33000	6" x 4"	4,5 x 3,6	142,80	130,10	160,581
55C34000	6" x 5"	4,5 x 4,0	142,80	136,00	160,581
55C35000	6" x 6"	4,5 x 4,5	143,00	143,00	141,240
55C36000	8" x 4"	6,3 x 3,6	177,80	155,50	271,817
55C37000	8" x 5"	6,3 x 4,0	177,80	161,80	271,817
55C38000	8" x 6"	6,3 x 4,5	177,80	168,20	271,817
55C39000	8" x 8"	6,3 x 6,3	178,00	178,00	238,568
55C41000	10" x 6"	6,3 x 4,5	215,90	193,70	487,753
55C42000	10" x 8"	6,3 x 6,3	215,90	203,20	487,753
55C43000	10" x 10"	6,3 x 6,3	216,00	216,00	428,830
55C45000	12" x 8"	7,1 x 6,3	254,00	228,60	835,991
55C46000	12" x 10"	7,1 x 6,3	254,00	254,00	835,991
55C47000	12" x 12"	7,1 x 7,1	254,00	254,00	733,314

Art. 59 FONDELLI BOMBATI CONVEX CAPS



M Acciaio S235



Nere



Scatole di cartone

CODE	CONF.	TYPE	Ø mm.	S mm	H mm	€
59C33000	20	1"	33,70	2,3	15	1,133
59C42000	20	1.1/4"	42,40	2,6	18	1,223
59C48000	20	1.1/2"	48,30	2,6	18	1,389
59C60000	10	2"	60,30	2,9	22	2,106
59C76000	10	2.1/2"	76,10	2,9	25	2,539
59C89000	10	3"	88,90	3,2	27	3,106
59C10200		3.1/2"	101,60	3,2	30	5,054
59C10800			108,00	3,2	34	5,083
59C11400		4"	114,30	3,2	34	4,926
59C13300			133,00	3,6	36	9,542
59C14000		5"	139,70	4,0	39	10,406
59C15900			159,00	4,0	41	14,014
59C16800		6"	168,30	4,0	43	14,047
59C19400			193,70	4,0	50	22,093
59C21900		8"	219,10	4,0	55	25,505
59C27300		10"	273,00	4,0	57	38,399
59C32400		12"	323,90	4,0	60	42,692
59C35500		14"	355,60	5,0	73	180,801
59C40600		16"	406,40	5,0	84	210,156
59C45700		18"	457,20	6,0	123	394,707
59C50800		20"	508,00	6,0	105	386,850
59C60900		24"	609,60	6,0	150	575,249

