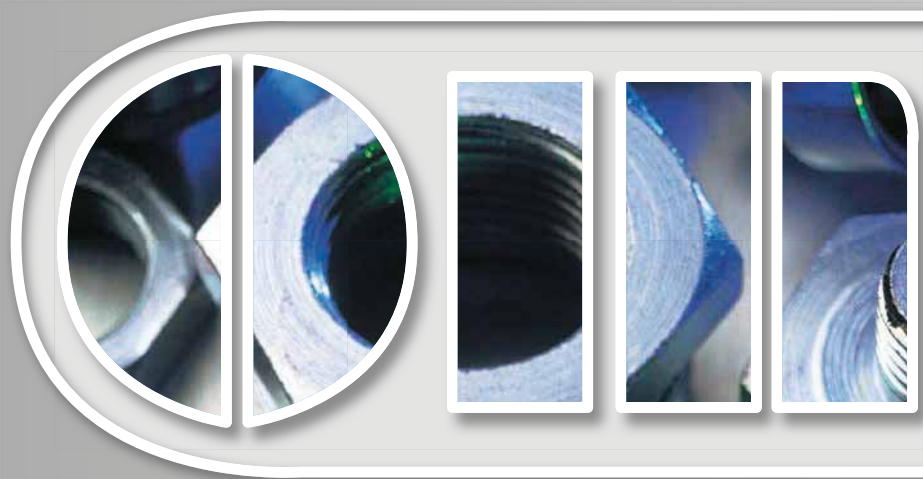


RACCORDERIA ZINCATA
GALVANIZED FITTINGS



omec

Art. 240 MANICOTTO RIDOTTO F.F. REDUCING SOCKET F.F.



M Fe 42

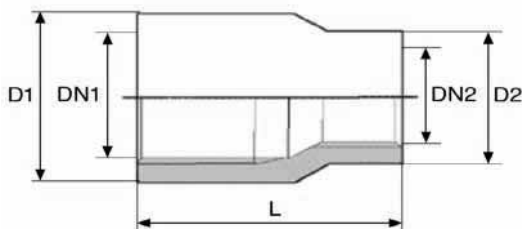
Zincato bianco



Buste PLT



Scatole di cartone



CODE	CONF.	DN1 X DN2	D1 mm X D2 mm	L mm	€
240C1418	100	1/4" x 1/8"	18 x 15	22	1,435
240C3818	100	3/8" x 1/8"	20 x 15	24	1,373
240C3814	100	3/8" x 1/4"	20 x 18	22	1,019
240C1214	100	1/2" x 1/4"	24 x 18	27	1,760
240C1238	100	1/2" x 3/8"	24 x 21	25,5	0,924
240C3414	100	3/4" x 1/4"	30 x 18	24	3,233
240C3438	100	3/4" x 3/8"	30 x 22	24	1,976
240C3412	100	3/4" x 1/2"	30 x 26	27	1,424
240C1380	100	1" x 3/8"	38 x 20	30	3,011
240C1120	100	1" x 1/2"	38 x 26	30	3,087
240C1340	100	1" x 3/4"	38 x 30	30	2,703
240C1143	50	1.1/4" x 1"	46 x 42	33,5	9,143

Art. 241 RIDUZIONE ESAGONALE M.F. HEXAGONAL REDUCER M.F.



M Fe 42

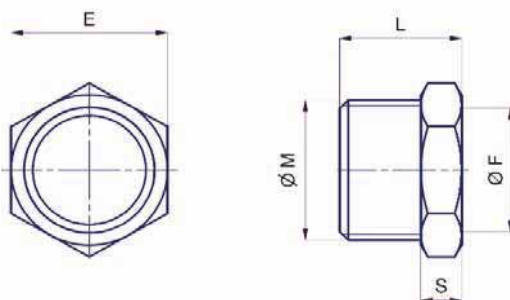
Zincato bianco



Buste PLT

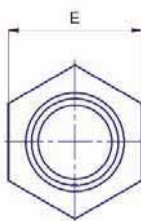
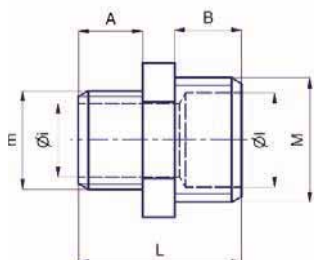


Scatole di cartone



CODE	CONF.	M X F	E mm	L mm	S mm	€
241C1418	100	1/4" x 1/8"	16	16	5	0,489
241C3818	100	3/8" x 1/8"	19	17	6	0,660
241C3814	100	3/8" x 1/4"	19	17	6	0,398
241C1218	100	1/2" x 1/8"	22	21	7	0,922
241C1214	100	1/2" x 1/4"	22	21	7	0,524
241C1238	100	1/2" x 3/8"	22	21	7	0,462
241C3414	100	3/4" x 1/4"	27	21	7	0,955
241C3438	100	3/4" x 3/8"	27	21	7	1,184
241C3412	100	3/4" x 1/2"	27	21	7	0,582
RIDUZIONI TORNITE						
241C1140	100	1" x 1/4"	34	21	7	1,812
241C1380	100	1" x 3/8"	34	21	7	1,858
241C1120	100	1" x 1/2"	34	21	7	1,553
241C1340	100	1" x 3/4"	34	21	7	1,196
241C1412	50	1.1/4" x 1/2"	42	23	7	4,634
241C1434	50	1.1/4" x 3/4"	42	23	7	3,646
241C1141	50	1.1/4" x 1"	42	23	7	3,646
241C1122	50	1.1/2" x 1/2"	50	25	7	19,553
241C1123	50	1.1/2" x 3/4"	50	25	7	19,556
241C1121	50	1.1/2" x 1"	50	25	7	19,559
241C1124	50	1.1/2" x 1.1/4"	50	25	7	19,550
241C2120	25	2" x 1/2"	60	27	7	22,119
241C2340	25	2" x 3/4"	60	27	7	22,119
241C2100	25	2" x 1"	60	27	7	22,119
241C2114	25	2" x 1.1/4"	60	27	7	23,162
241C2112	25	2" x 1.1/2"	60	27	7	23,164

Art. 245 NIPPLO ESAGONALE RIDOTTO M.M.
HEXAGONAL REDUCING NIPPLE M.M.

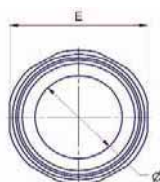
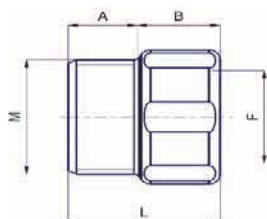


M Fe 42
Zincato bianco

Buste PLT
Scatole di cartone

CODE	CONF.	M X E	B mm	A mm	E mm	L mm	€
245C1418	100	1/4" x 1/8"	10	10	9	25	0,780
245C3818	100	3/8" x 1/8"	10	10	17	24,5	1,426
245C3814	100	3/8" x 1/4"	11,5	10	19	26,5	0,653
245C1218	100	1/2" x 1/8"	11	11	22	27	1,649
245C1214	100	1/2" x 1/4"	13,5	10	22	29	0,936
245C1238	100	1/2" x 3/8"	13,5	11	22	30	0,582
245C3414	100	3/4" x 1/4"	12,5	11	27	31	2,262
245C3438	100	3/4" x 3/8"	13,5	13,5	27	34	1,596
245C3412	100	3/4" x 1/2"	13,5	13,5	27	34	1,071
RIDUZIONI TORNITE							
245C1140	100	1" x 1/4"	16,5	14	34	39	4,056
245C1380	100	1" x 3/8"	16,5	14	34	39	4,056
245C1120	100	1" x 1/2"	14,5	13,5	34	34,5	2,649
245C1340	100	1" x 3/4"	14,5	13,5	34	34,5	2,333
245C1144	50	1.1/4" x 1/4"	16	11	42	34	6,164
245C1148	50	1.1/4" x 3/8"	16	11	42	34	6,175
245C1142	50	1.1/4" x 1/2"	16	12	42	35	6,181
245C1143	50	1.1/4" x 3/4"	16	13	42	35	6,185
245C1141	50	1.1/4" x 1"	16	15	42	38	6,188
245C1128	50	1.1/2" x 3/8"	18	11	50	36	19,999
245C1122	50	1.1/2" x 1/2"	18	12	50	37	19,999
245C1123	50	1.1/2" x 3/4"	18	12	50	37	19,999
245C1121	50	1.1/2" x 1"	18	15	50	40	20,007
245C1124	50	1.1/2" X 1.1/4"	18	16	50	41	7,846
245C2120	25	2" X 1/2"	18	12	60	36	29,469
245C2340	25	2" X 3/4"	18	12	60	37	29,469
245C2100	25	2" X 1"	18	14	60	37	29,469
245C2114	25	2" X 1.1/4"	18	18	60	41	31,571
245C2112	25	2" X 1.1/2"	18	18	60	43	33,671

Art. 246 PROLUNGA RIDOTTA F.M.
REDUCING EXTENSION F.M.

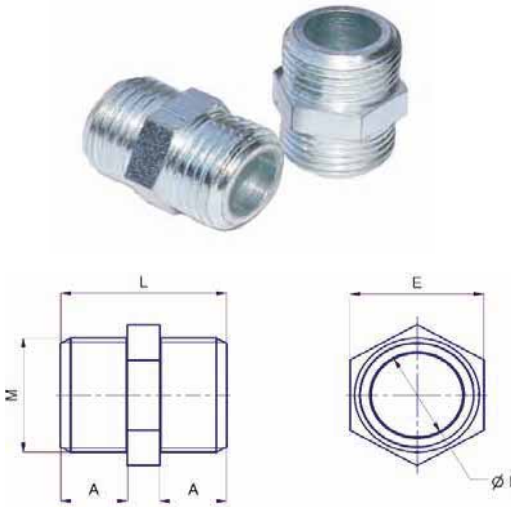


M Fe 42
Zincato bianco

Buste PLT
Scatole di cartone

CODE	CONF.	F x M	B mm	A mm	E mm	L mm	€
246C1418	100	1/4" X 1/8"	10	10	17	24	1,514
246C3818	100	3/8" X 1/8"	10	10	17	25	1,366
246C3814	100	3/8" X 1/4"	10	10	20	22	0,769
246C3812	100	1/2" x 3/8"	11,5	11,5	24	24	0,827
246C1214	100	1/2" X 1/4"	10	10	24	25	1,172
246C3438	100	3/4" X 3/8"	13	13	30	28	1,575
246C3412	100	3/4" X 1/2"	12	12	30	27	1,591
PROLUNGHE TORNITE							
246C1380	100	1" X 3/8"	15	15	38	30	3,640
246C1120	100	1" X 1/2"	14,5	14,5	38	29,5	4,139
246C1340	100	1" X 3/4"	14,5	14,5	38	29,5	4,500
246C1141	50	1.1/4" X 1"	15	15	50	33	8,528

Art. 280 NIPPLO ESAGONALE M.M. HEXAGONAL NIPPLE M.M.



M Fe 42

Zincato bianco



Buste PLT



Scatole di cartone

CODE	CONF.	M	A mm	L mm	E mm	€
280C1800	100	1/8"	10	25	15	1,407
280C1400	100	1/4"	10	24,5	15	0,629
280C3800	100	3/8"	11,5	29	19	0,431
280C1200	100	1/2"	13,5	34	22	0,547
280C3400	100	3/4"	13,5	33,5	27	0,710
TORNITI						
280C1000	100	1"	14	34,5	34	1,996
280C1140	50	1.1/4"	16	39	42	4,657
280C1120	50	1.1/2"	18	43	50	7,500
280C2000	25	2"	18	43	60	12,385

Art. 280T NIPPLO M.M. CON BATTUTA PIANA TORNITA NIPPLE M.M. WITH TURNED SEAT



M Fe 42

Zincato bianco



Buste PLT



Scatole di cartone

CODE	CONF.	M	A mm	L mm	E mm	€
280T12PI	100	1/2"	13,5	34	22	2,288

Art. 290 TAPPO M. CONICO CON QUADRO PLUG M. WITH SQUARE NUT



M Fe 42

Zincato bianco

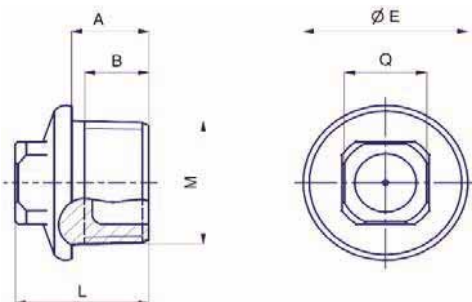


Buste PLT

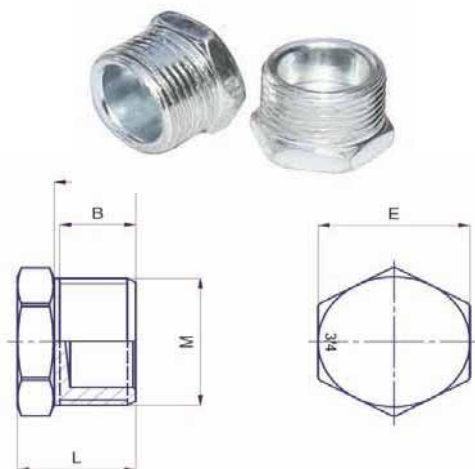


Scatole di cartone

CODE	CONF.	M	A mm	B mm	E mm	L mm	Q mm	€
290C1400	100	1/4"	12	10	15	19	9	0,621
290C3800	100	3/8"	12	10	21	21	10	0,714
290C1200	100	1/2"	13	11	25	22	12	0,747
290C3400	100	3/4"	15	12,5	32	26	17	1,371
290C1000	100	1"	16	13	40	28	19	1,628



Art. 292 TAPPO M. ESAGONALE
HEXAGONAL M. PLUG

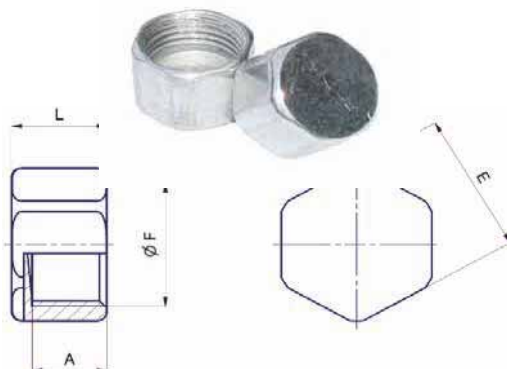


M Fe 42
Zincato bianco

Buste PLT
Scatole di cartone

CODE	CONF.	M	A mm	B mm	E mm	L mm	€
292C1800	100	1/8"	10	9	14	14	0,699
292C1400	100	1/4"	10,5	10	15	15,5	0,396
292C3800	100	3/8"	11,3	11	19	17,5	0,396
292C1200	100	1/2"	13,5	13	22	20	0,466
292C3400	100	3/4"	14,5	14	27	21	0,641
TORNITI							
292C1000	100	1"	14	12	34	21	4,524
292C1140	50	1.1/4"	16	14	42	23	5,720
292C1120	50	1.1/2"	18	16	50	25	7,696
292C2000	25	2"	18	16	60	25	7,311

Art. 300 TAPPO F. ESAGONALE
HEXAAGONAL F. CAPS

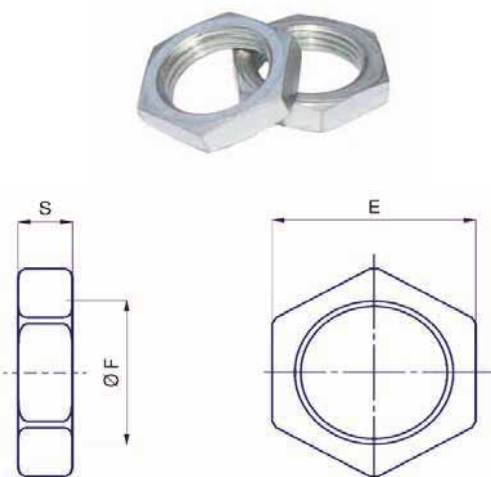


M Fe 42
Zincato bianco

Buste PLT
Scatole di cartone

CODE	CONF.	F.	L mm	A mm	E mm	€
300C1800	100	1/8"	12	7	14	0,615
300C1400	100	1/4"	15	10,5	20	0,555
300C3800	100	3/8"	15	10,5	20	0,534
300C1200	100	1/2"	24	12,5	24	0,540
300C3400	100	3/4"	30	14,5	30	0,994
TORNITI						
300C1000	100	1"	22	16	38	4,620
300C1140	50	1.1/4"	22	16	50	6,000
300C1120	50	1.1/2"	22	16	60	8,000

Art. 310 GHIERA - CONTRODADO
LOCK NUT

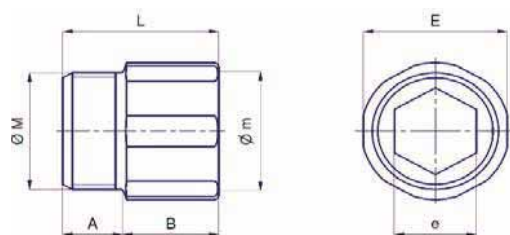
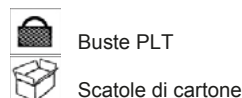
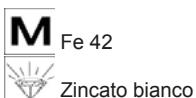


M Fe 42
Zincato bianco

Buste PLT
Scatole di cartone

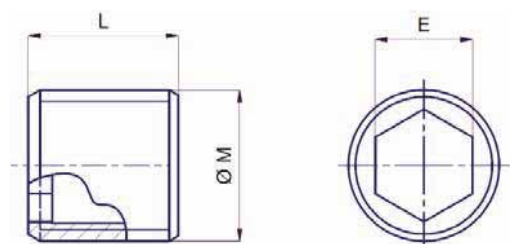
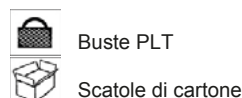
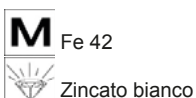
CODE	CONF.	F	E mm	S mm	€
310C1800	100	1/8"	17	5	0,967
310C1400	100	1/4"	19	5	0,853
310C3800	100	3/8"	22	7,5	0,641
310C1200	100	1/2"	27	8	0,710
310C3400	100	3/4"	34	9	1,107
TORNITE					
310C1000	100	1"	42	10	4,285
310C1140	50	1.1/4"	50	10	8,421
310C1120	50	1.1/2"	60	10	9,483
310C2000	25	2"			a richiesta

Art. 520 PROLUNGA M.F. EXTENSION M.F.



CODE	CONF.	M F	B mm	A mm	L mm	E mm	€
520C1415	100	1/4"	15	10	25	20	1,028
520C3810	100	3/8"	10	10	22	20	0,396
520C3815	100	3/8"	15	10	25	20	0,396
520C3820	100	3/8"	20	10	30	20	0,431
520C3825	100	3/8"	25	10	35	20	0,791
520C3830	100	3/8"	30	10	40	20	0,831
520C3840	100	3/8"	40	10	50	20	1,713
520C3850	100	3/8"	50	10	60	20	2,218
520C1210	100	1/2"	10	11,5	23,5	24	0,396
520C1215	100	1/2"	15	11,5	26,5	24	0,396
520C1220	100	1/2"	20	11,5	31,5	24	0,454
520C1225	100	1/2"	25	11,5	36,5	24	0,641
520C1230	100	1/2"	30	11,5	41,5	24	0,699
520C1240	100	1/2"	40	11,5	51,5	24	1,281
520C1250	100	1/2"	50	11,5	61,5	24	1,514
520C3410	100	3/4"	10	12,5	24,5	30	0,785
520C3415	100	3/4"	15	12,5	27,5	30	0,929
520C3420	100	3/4"	20	12,5	32,5	30	0,932
520C3425	100	3/4"	25	12,5	37,5	30	1,315
520C3430	100	3/4"	30	12,5	42,5	30	1,413
520C3440	50	3/4"	40	12,5	52,5	30	3,039
520C3450	50	3/4"	50	12,5	62,5	30	4,056
PROLUNGHE TORNITE							
520C1150	50	1"	15	15	30	38	6,571
520C1200	25	1"	20	15	35	38	6,948
520C125X	25	1"	25	15	40	38	6,800
520C1300	25	1"	30	15	45	38	6,900
520C1400	25	1"	40	15	55	38	7,000
520C1500	25	1"	50	15	65	38	7,200
520C1142	25	1.1/4"	18	15	33	50	7,821

Art. 531 NIPPLLO M. TUTTO FILETTO ALL THREADED M. NIPPLE



CODE	CONF.	M	L mm	E mm	€
531C3800	100	3/8"	22	9	1,115
531C1200	100	1/2"	25	13	0,535
531C3400	100	3/4"	25	16	0,772
531C1000	100	1"	30	20	1,307
531C1140	10	1.1/4"	40	31,5	2,080
531C1120	10	1.1/2"	42	37,5	2,496
531C2000	10	2"	43	49	5,824